

ET

SCHALTBILDER
CIRCUIT DIAGRAMS

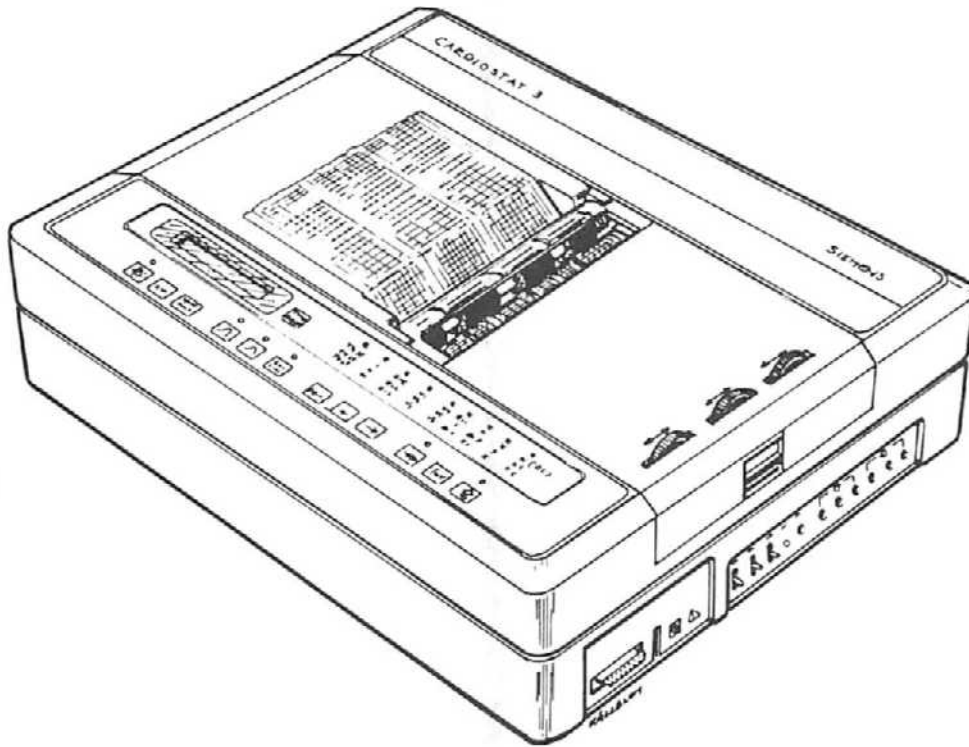
E112 EH42E 051 01 01 05

Ersetzt/Replacing/Remplace/Sustituye

Datum/Date/Date/Fecha

04.85

CARDIOSTAT 3



Siemens-Elema AB Solna Sweden

EK-OI

Weitergabe sowie Vervielfältigung dieser Unterlage, Verwertung und Mitteilung ihres Inhalts ist nicht gestattet, soweit nicht ausdrücklich zugestanden. Zuwiderhandlungen sind strafbar und verpflichten zu Schadenersatz. Alle Rechte, insbesondere für den Fall der Patenterteilung oder GM-Eintragung, vorbehalten.

Unless expressly permitted, these records must neither be made available to third parties nor reproduced, nor is it allowed to utilize or communicate their contents. Infringements will lead to prosecution and are subject to liability claims. All rights reserved, especially in the case of a patent to be granted or industrial designs to be registered.

CARDIOSTAT 3

CARDIOSTAT 3 ist in drei Ausführungen vorhanden:

- a) Grundausführung (auf den Schaltbildern als CARDIOSTAT 3A gekennzeichnet)
- b) Ausgebaute Ausführung (auf den Schaltbildern als CARDIOSTAT 3C gekennzeichnet)

Die ausgebaute Ausführung bietet zusätzlich zu den Funktionen der Grundausführung die alphanumerische Ausschrift bestimmter Daten am oberen Rand des Registrierpapiers und die automatische Störungs-erkennung. Der Störungsdetektor zeigt an, welcher Art von Störung (Netzstörung und/oder Tremor) das Eingangssignal ausgesetzt ist und welches Filter zur Abhilfe dient.

Schaltbilder, die nur in einer Ausführung im Schaltbild-satz vorkommen, gelten sowohl für CARDIOSTAT 3A als auch für CARDIOSTAT 3C.

CARDIOSTAT 3

CARDIOSTAT 3 is available in two versions:

- a) Basic model (designated CARDIOSTAT 3A on the circuit diagrams)
- b) Augmented model (designated CARDIOSTAT 3C on the circuit diagrams)

In addition to the functions available on the basic model, the augmented version also provides alphanumeric write-out in the upper margin of the chart paper and automatic interference detection. The interference detector indicates the type of disturbance (hum from the mains and/or muscle tremor) interfering with the input signal and, consequently, which filter should be used to eliminate the interference.

Circuit diagrams which appear in only one version in the set of circuit diagrams are applicable for both CARDIOSTAT 3A and CARDIOSTAT 3C.

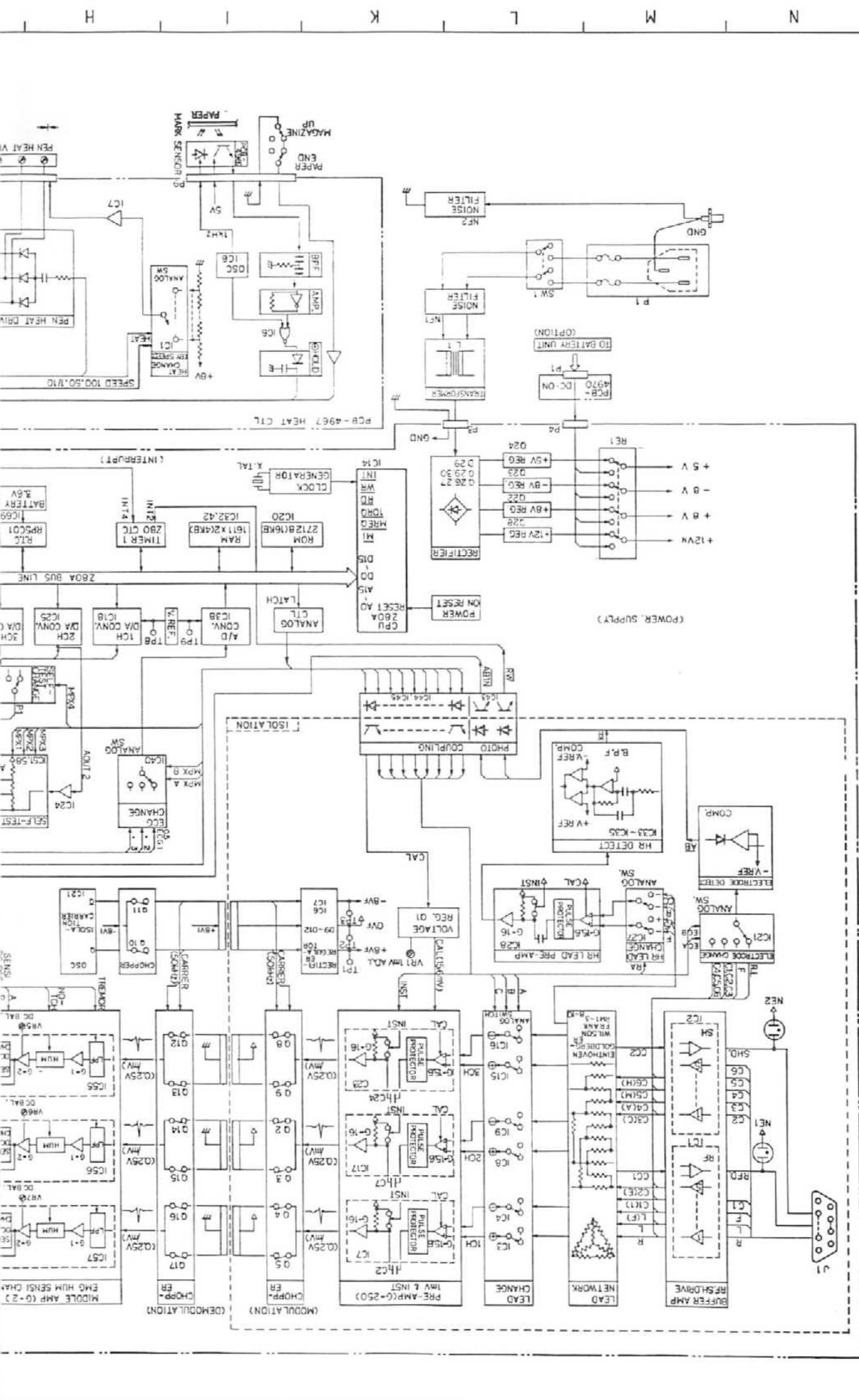
Inhaltsverzeichnis

Contents

- | | |
|---|---|
| <p>1. Blockschaltbild
<i>Block diagram</i>
CARDIOSTAT 3A</p> <p>2. Blockschaltbild
<i>Block diagram</i>
CARDIOSTAT 3C</p> <p>3. Verbindungsschema
<i>Interconnection diagram</i>
CARDIOSTAT 3A</p> <p>4. Verbindungsschema
<i>Interconnection diagram</i>
CARDIOSTAT 3C</p> <p>5. EKG-Eingang, Pufferverstärker
<i>ECG input, buffer amplifier</i>
PCB-4966.1, CARDIOSTAT 3A/C</p> <p>6. Vorverstärker, R-Zackendetektor,
Elektrodenprüfschaltung
<i>Preamplifier, R-wave detector,
electrode detector</i>
PCB-4966.2, CARDIOSTAT 3A/C</p> <p>7. Isoliervverstärker
<i>Isolation amplifier</i>
PCB-4966.3, CARDIOSTAT 3A/C</p> <p>8. D/A-Umsetzer, A/D-Umsetzer
<i>D/A converter, A/D converter</i>
PCB-4966.4, CARDIOSTAT 3A/C</p> <p>9. Eingang/Ausgang,
Selbstprüfschaltung, PKG-Eingang
<i>Input/output, self-test circuit, PCG input</i>
PCB-4966.5, CARDIOSTAT 3A/C</p> <p>10. PCB-4967-Steckverbinder,
PCB-4968-Steckverbinder
<i>PCB-4967 connector, PCB-4968 connector</i>
PCB-4966.6, CARDIOSTAT 3A</p> <p>11. PCB-4967-Steckverbinder,
PCB-4968-Steckverbinder
<i>PCB-4967 connector, PCB-4968 connector</i>
PCB-4966.6, CARDIOSTAT 3C</p> <p>12. CPU-Chip, Taktgeber,
Rücksetzimpulsschaltung
<i>CPU, clock, reset pulse circuit</i>
PCB-4966.7, CARDIOSTAT 3A</p> <p>13. CPU-Chip, Taktgeber,
Rücksetzimpulsschaltung
<i>CPU, clock, reset pulse circuit</i>
PCB-4966.7, CARDIOSTAT 3C</p> | <p>14. ROM, RAM, E/A-Decodierer
<i>ROM, RAM, I/O decoder</i>
PCB-4966.8, CARDIOSTAT 3A</p> <p>15. ROM, RAM, E/A-Decodierer
<i>ROM, RAM, I/O decoder</i>
PCB-4966.8, CARDIOSTAT 3C</p> <p>16. Heizsignalschaltung
<i>Heat signal circuit</i>
PCB-4966.9, CARDIOSTAT 3A</p> <p>17. Heizsignalschaltung
<i>Heat signal circuit</i>
PCB-4966.9, CARDIOSTAT 3C</p> <p>18. Zeitsteuerschaltung, Echtzeituhr
<i>Timing circuit, real-time clock</i>
PCB-4966.10, CARDIOSTAT 3A</p> <p>19. Zeitsteuerschaltung, Echtzeituhr
<i>Timing circuit, real-time clock</i>
PCB-4966.10, CARDIOSTAT 3C</p> <p>20. Stauseinstellschaltung
<i>Status set circuit</i>
PCB-4966.11, CARDIOSTAT 3A</p> <p>21. Stauseinstellschaltung
<i>Status set circuit</i>
PCB-4966.11, CARDIOSTAT 3C</p> <p>22. Statusabtastschaltung, Summer
<i>Status read circuit, buzzer</i>
PCB-4966.12, CARDIOSTAT 3A/C</p> <p>23. Stromversorgungsschaltung
<i>Power supply circuit</i>
PCB-4966.13, CARDIOSTAT 3A</p> <p>24. Stromversorgungsschaltung
<i>Power supply circuit</i>
PCB-4966.13, CARDIOSTAT 3C</p> <p>25. Treiberschaltung für Thermoschreibkopf
<i>Thermal head driver</i>
PCB-4967.1, CARDIOSTAT 3A</p> <p>26. Treiberschaltung für Thermoschreibkopf
<i>Thermal head driver</i>
PCB-4967.1, CARDIOSTAT 3C</p> <p>27. Motorsteuerschaltung
<i>Motor control circuit</i>
PCB-4967.2, CARDIOSTAT 3A/C</p> <p>28. Treiberschaltung für Thermohebelschreiber-
heizung, Synchronisiermarkenfühler,
Papiereendfühler
<i>Stylus heat driver, cue mark sensor,
paper-end sensor</i>
PCB-4967.3, CARDIOSTAT 3A/C</p> |
|---|---|

29. Galva-Einheit-Steckverbinder
Galva unit connector
PCB-4967.4, CARDIOSTAT 3A/C
30. Funktionstasten
Operation keys
PCB-4968.1, CARDIOSTAT 3A/C
31. Leuchtdioden- und Flüssigkristallanzeige-
Steckverbinder
LED and LCD connectors
PCB-4968.2, CARDIOSTAT 3A/C
32. Motorsteuerplatte
Motor control board
PCB-3395, CARDIOSTAT 3A/C
33. Stromversorgungsverdrahtung
Power supply wiring
CARDIOSTAT 3A/C
34. Kabel FCBL1, FCBL2, CBL1, CBL2
Cables FCBL1, FCBL2, CBL1, CBL2
CARDIOSTAT 3A/C
35. Kabel CBL3, CBL4, CBL5, CBL6
Cables CBL3, CBL4, CBL5, CBL6
CARDIOSTAT 3A/C

PATENT CABLE



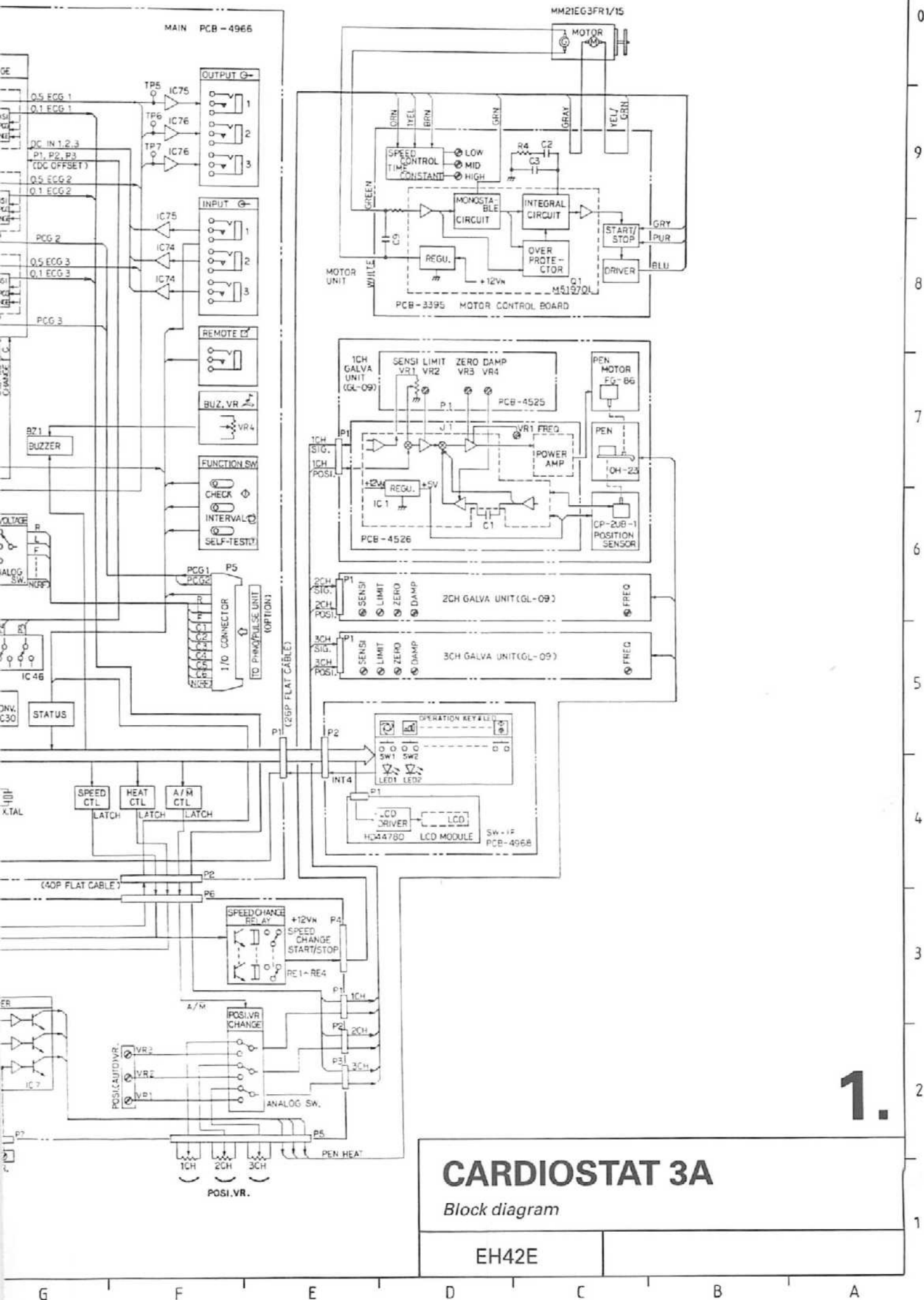
H

K

L

M

N



CARDIOSTAT 3A

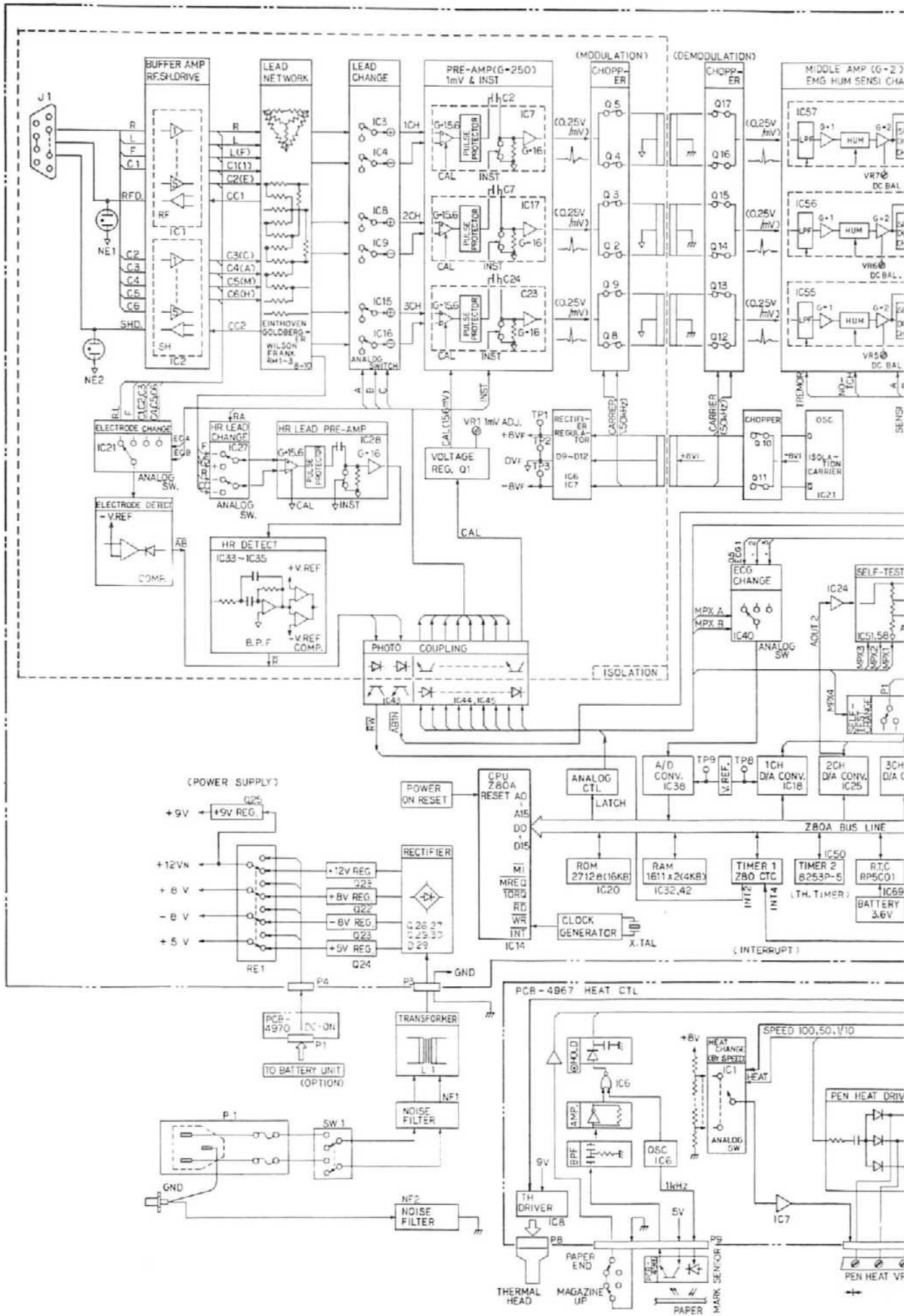
Block diagram

EH42E

1.



PATIENT CABLE



N

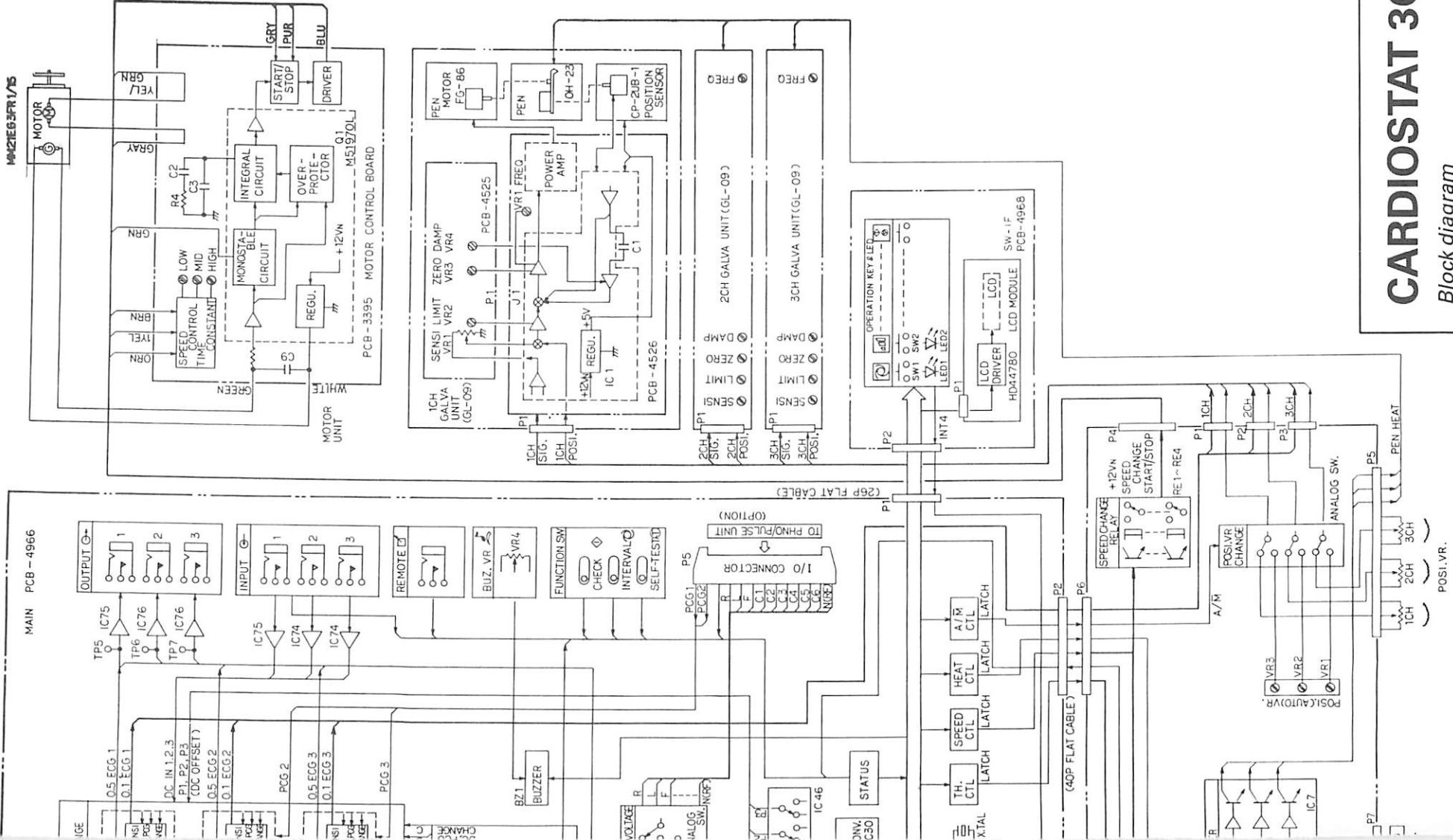
M

L

K

I

H



0 9 8 7 6 5 4 3 2 1

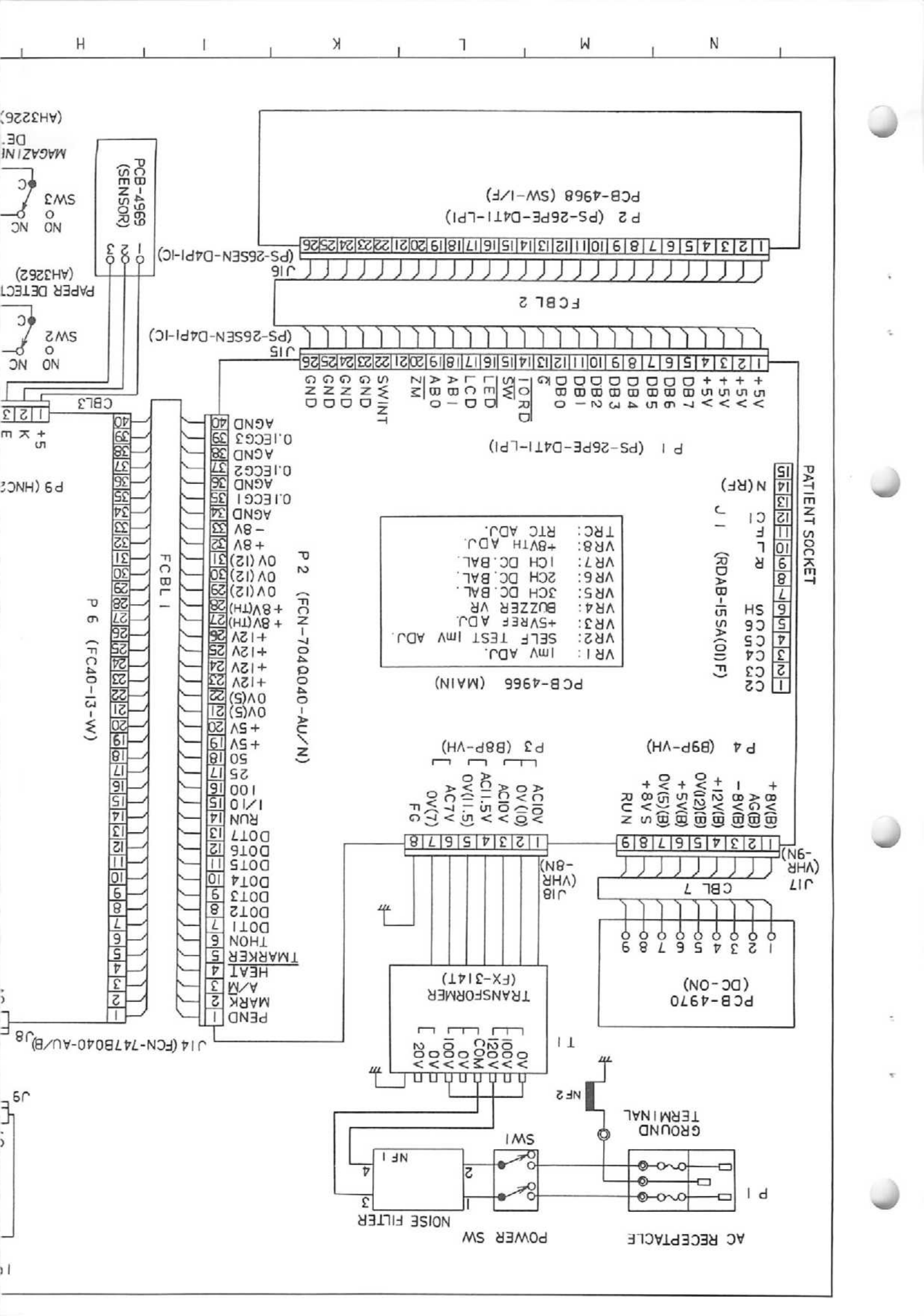
2.

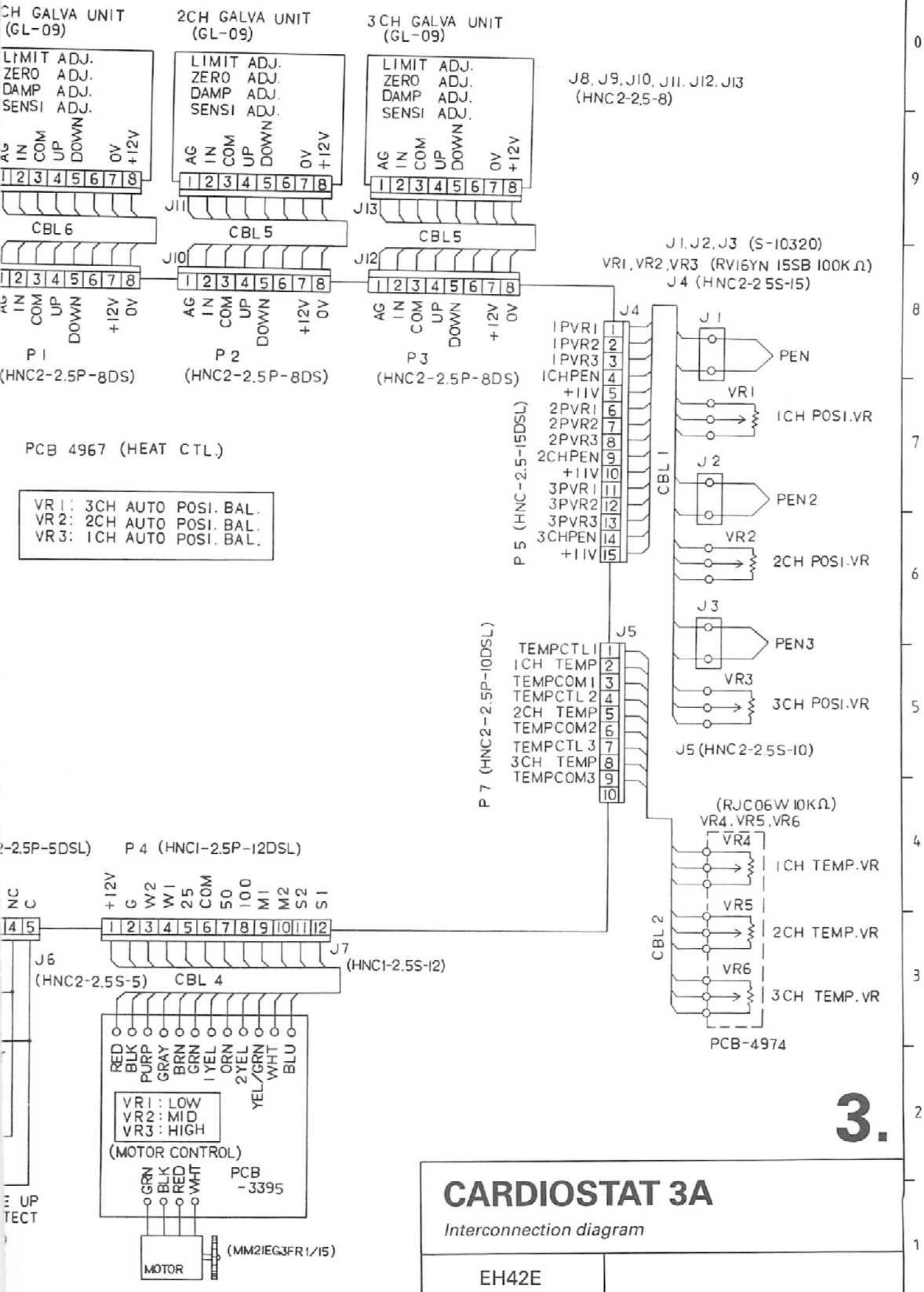
CARDIOSTAT 3C

Block diagram

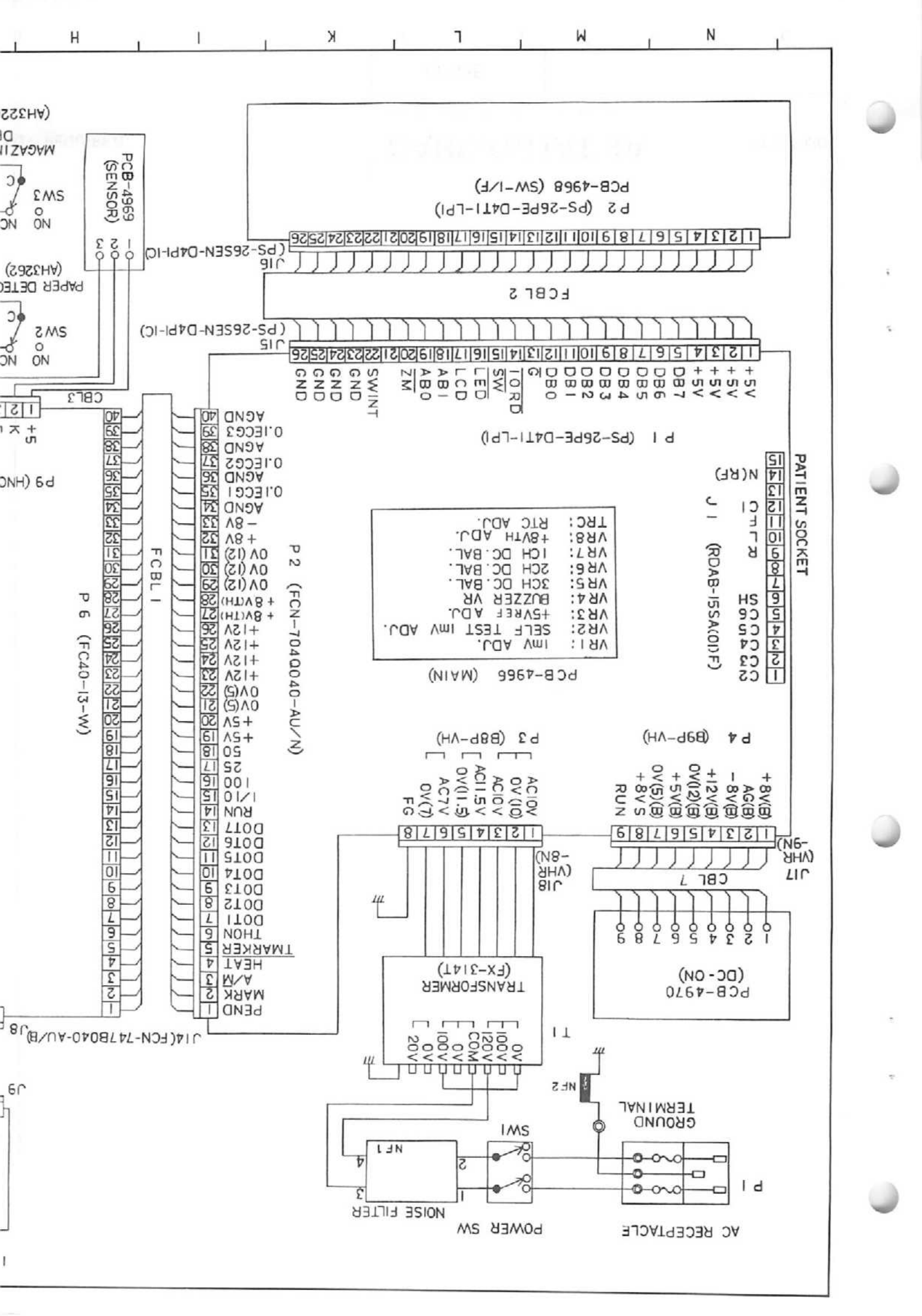
EH42E

G F E D C B A





3.



PATIENT SOCKET

- | | | | | | | | | | | | | | | | | |
|---------------------|-----|-----|----|-----|-----|-----|-----|-----|-----|-----|-----|-----|-----|-----|-----|-----|
| 15 | 14 | 13 | 12 | 11 | 10 | 9 | 8 | 7 | 6 | 5 | 4 | 3 | 2 | 1 | | |
| N(RF) | CTR | CTR | SH | SC4 | CC4 | CC3 | CC2 | VR1 | VR2 | VR3 | VR4 | VR5 | VR6 | VR7 | VR8 | TRC |
| J 1 (RDAB-155A(0)F) | | | | | | | | | | | | | | | | |

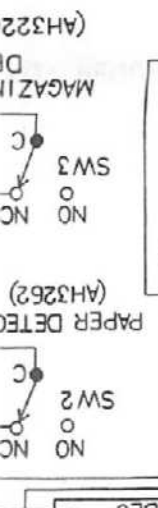
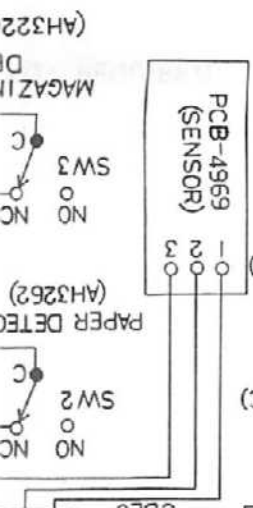
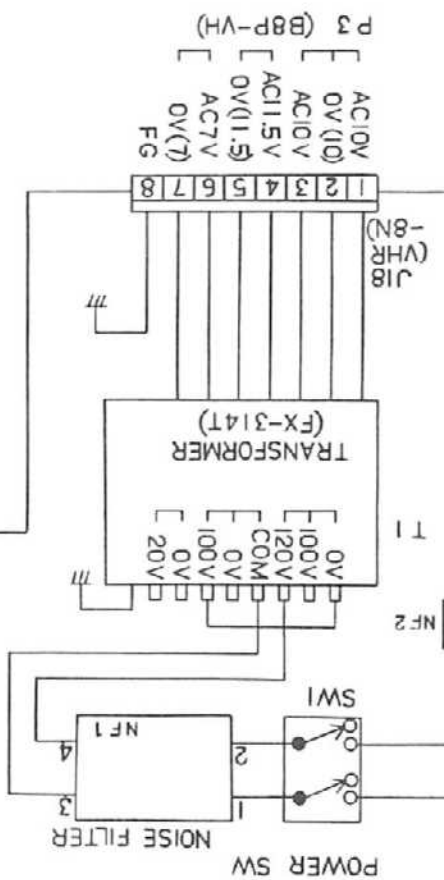
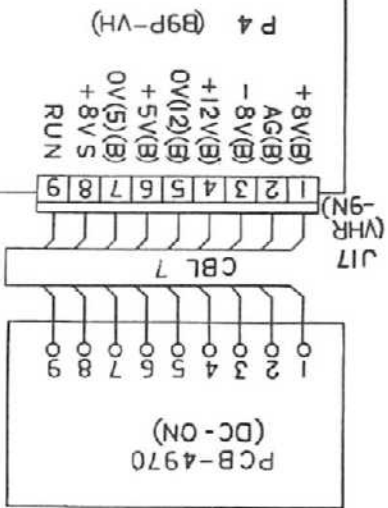
- PCB-4966 (MAIN)
- VR1: 1mV ADJ.
 - VR2: SELF TEST 1mV ADJ.
 - VR3: +5VREF ADJ.
 - VR4: BUZZER VR
 - VR5: 3CH DC. BAL.
 - VR6: 2CH DC. BAL.
 - VR7: 1CH DC. BAL.
 - VR8: +8VTH ADJ.
 - TRC: RTC ADJ.

P 2 (FCN-7040040-AU/N)

- | | | | | | | | | | | | | | | | | | | | | | | | | | | | | | | | | | | | | | | | |
|------|---------|------|---------|------|---------|------|-----|-----|--------|--------|--------|---------|------|------|------|------|-------|-------|-----|-----|----|----|-----|------|-----|-------|-------|-------|-------|-------|-------|-------|------|--------|------|-----|------|------|---|
| 40 | 39 | 38 | 37 | 36 | 35 | 34 | 33 | 32 | 31 | 30 | 29 | 28 | 27 | 26 | 25 | 24 | 23 | 22 | 21 | 20 | 19 | 18 | 17 | 16 | 15 | 14 | 13 | 12 | 11 | 10 | 9 | 8 | 7 | 6 | 5 | 4 | 3 | 2 | 1 |
| AGND | 0.1ECG3 | AGND | 0.1ECG2 | AGND | 0.1ECG1 | AGND | -8V | +8V | OV(12) | OV(12) | OV(12) | +8V(TH) | +12V | +12V | +12V | +12V | OV(5) | OV(5) | +5V | +5V | 50 | 25 | 100 | 1/10 | RUN | DOT17 | DOT16 | DOT15 | DOT14 | DOT13 | DOT12 | DOT11 | THON | MARKER | HEAT | A/M | MARK | PEND | |

FCBL 1

P 6 (FC40-13-W)



COMPONENTS IN SHADED AREAS NOT REQUIRED.

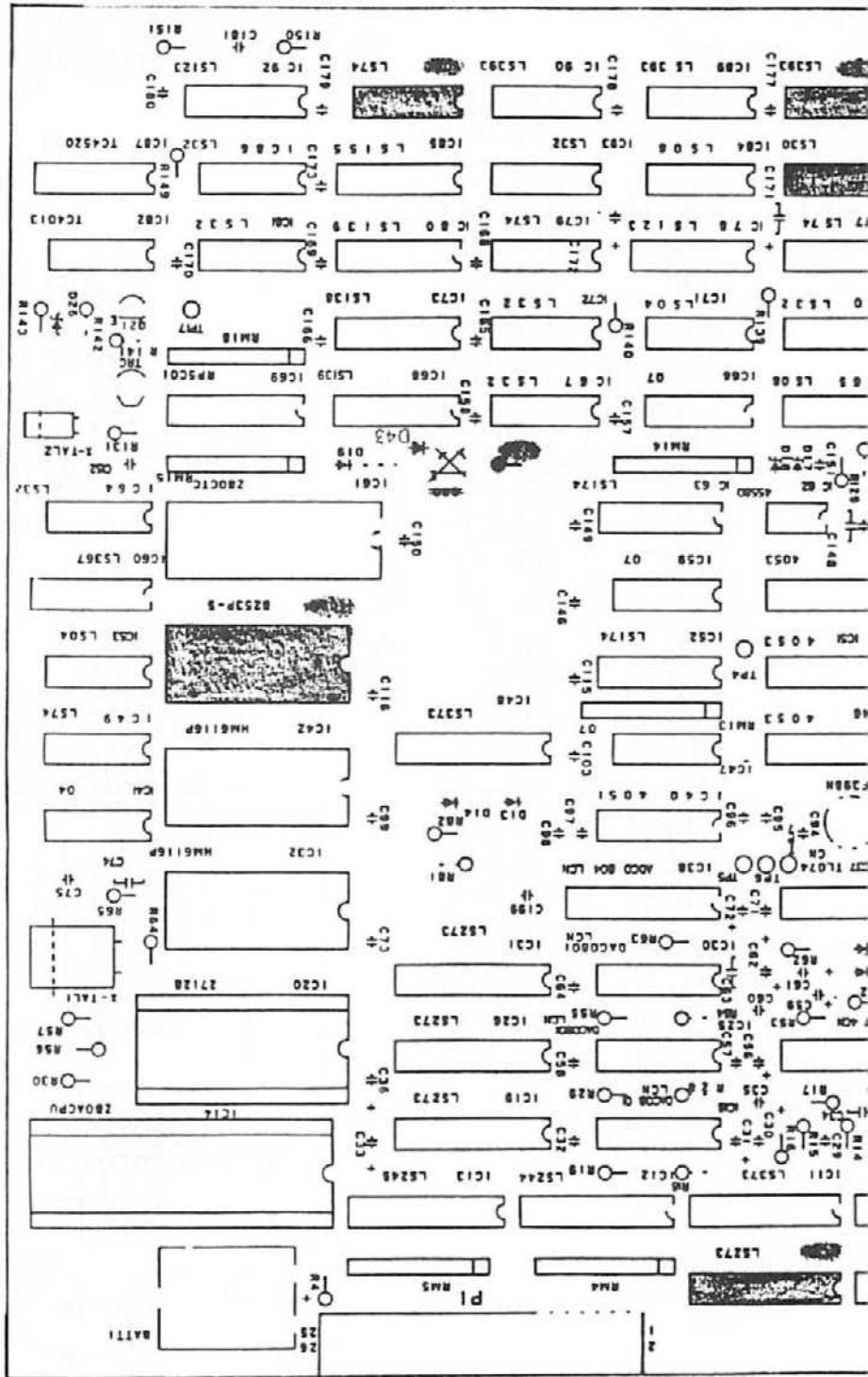
CARDIOSTAT 3A

CARDIOSTAT 3A

Component location drawing

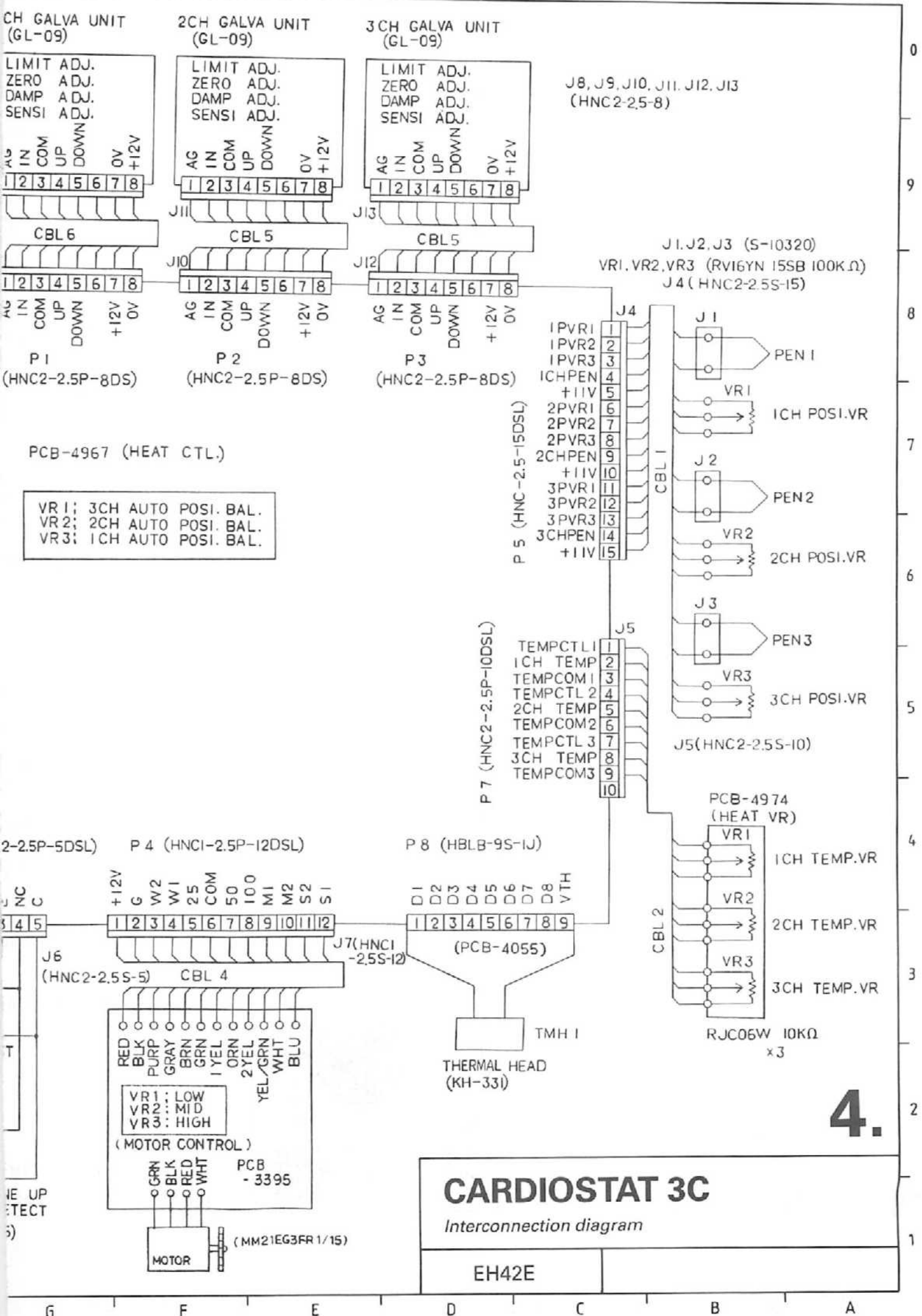
PCB-49666

EH42E



1
2
3
4
5
6
7
8
9
0

A B C D E F G

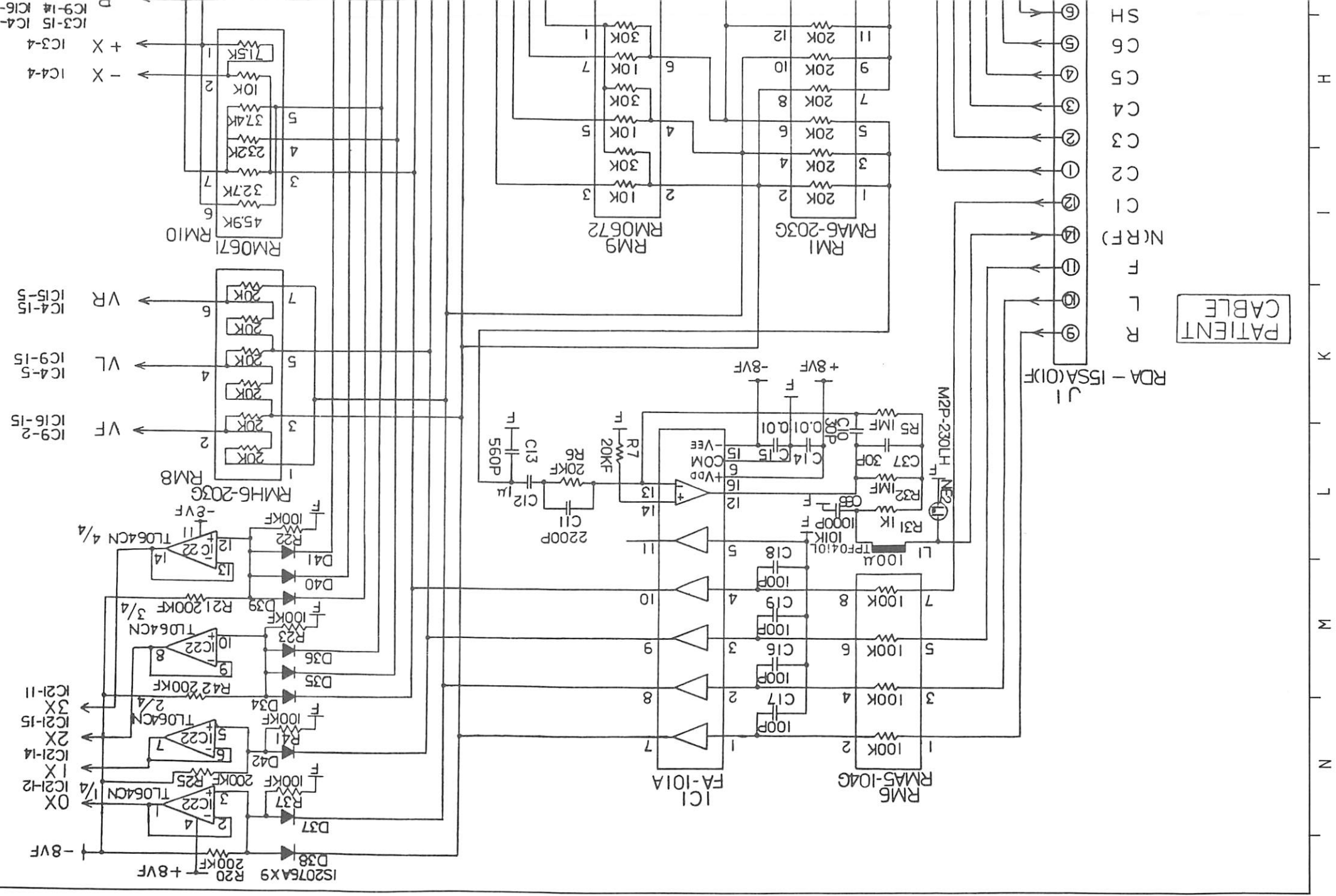


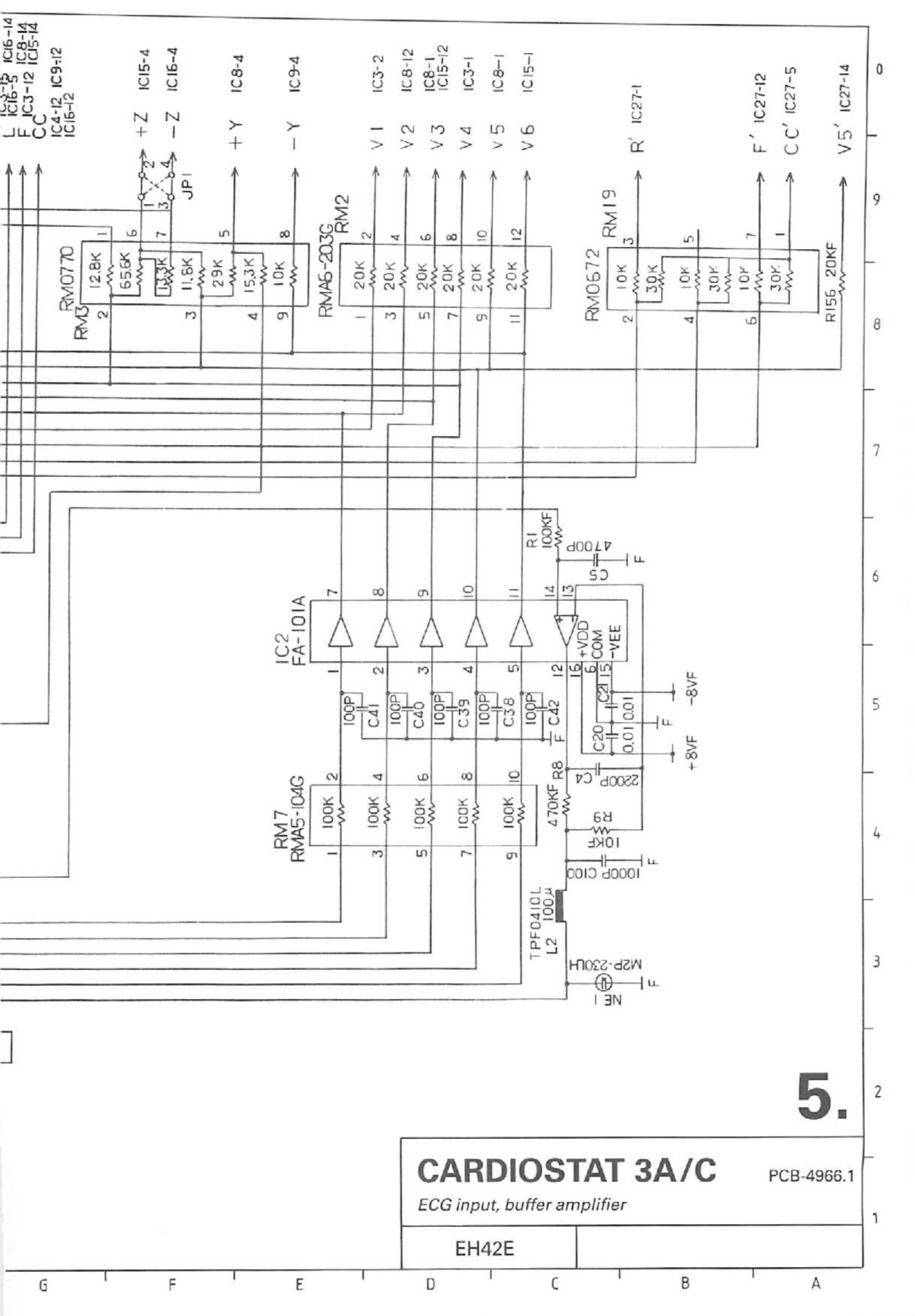
4.

PATIENT
CABLE

SH
C6
C5
C4
C3
C2
C1
N(R,F)
F
L
R

J1
RDA - ISSA(O)F





CARDIOSTAT 3A/C

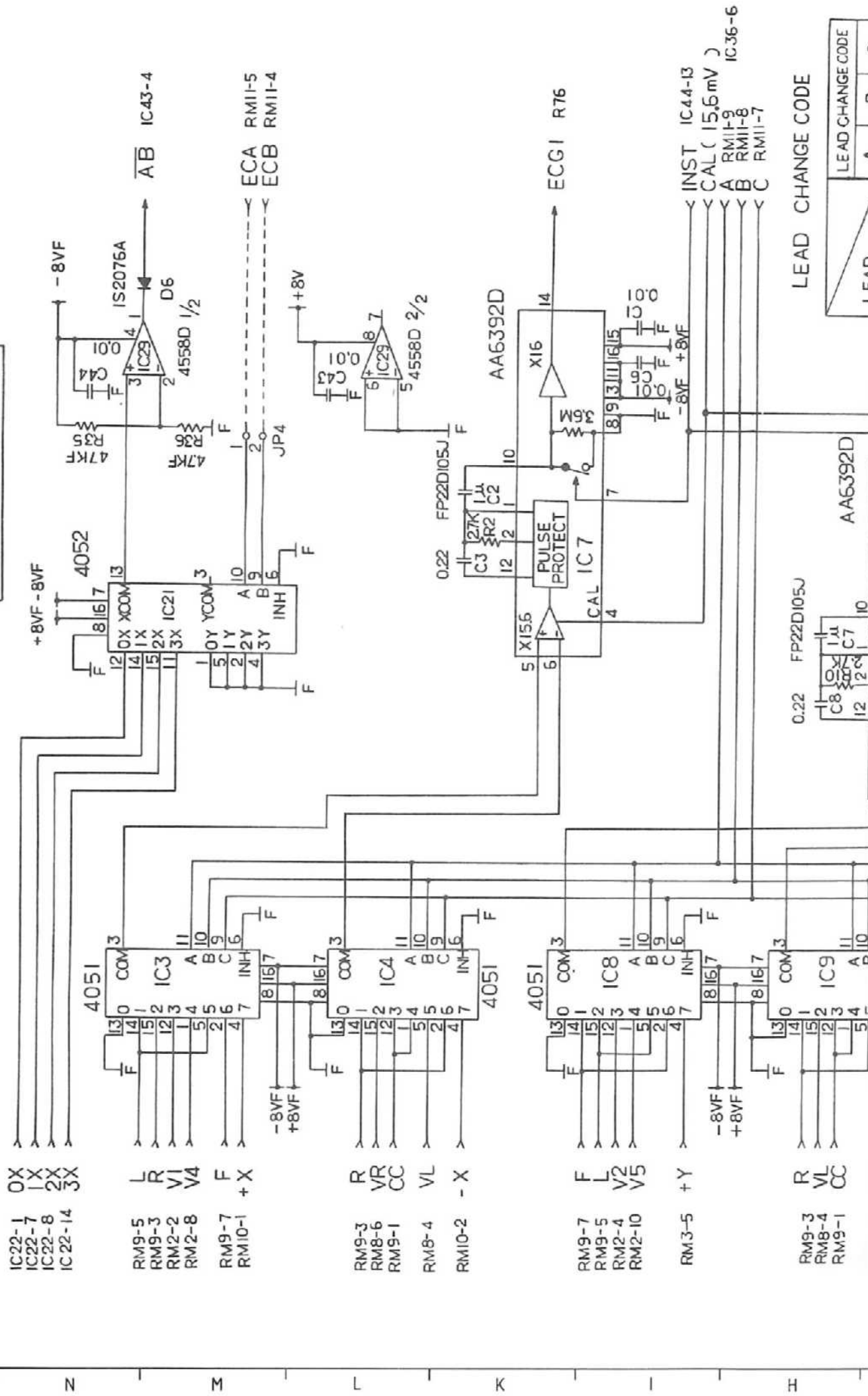
PCB-4966.1

ECG input, buffer amplifier

EH42E

5.

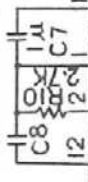
ELECTRODE DETECT



LEAD CHANGE CODE

LEAD	A	B	C

0.22 FP22D105J



AA6392D

IC22-1
IC22-7
IC22-8
IC22-14

RM9-5
RM9-3
RM2-2
RM2-8
RM9-7
RM10-1

RM9-3
RM8-6
RM9-1
RM8-4
RM10-2

RM9-7
RM9-5
RM2-4
RM2-10

RM3-5

RM9-3
RM8-4
RM9-1

Z

M

L

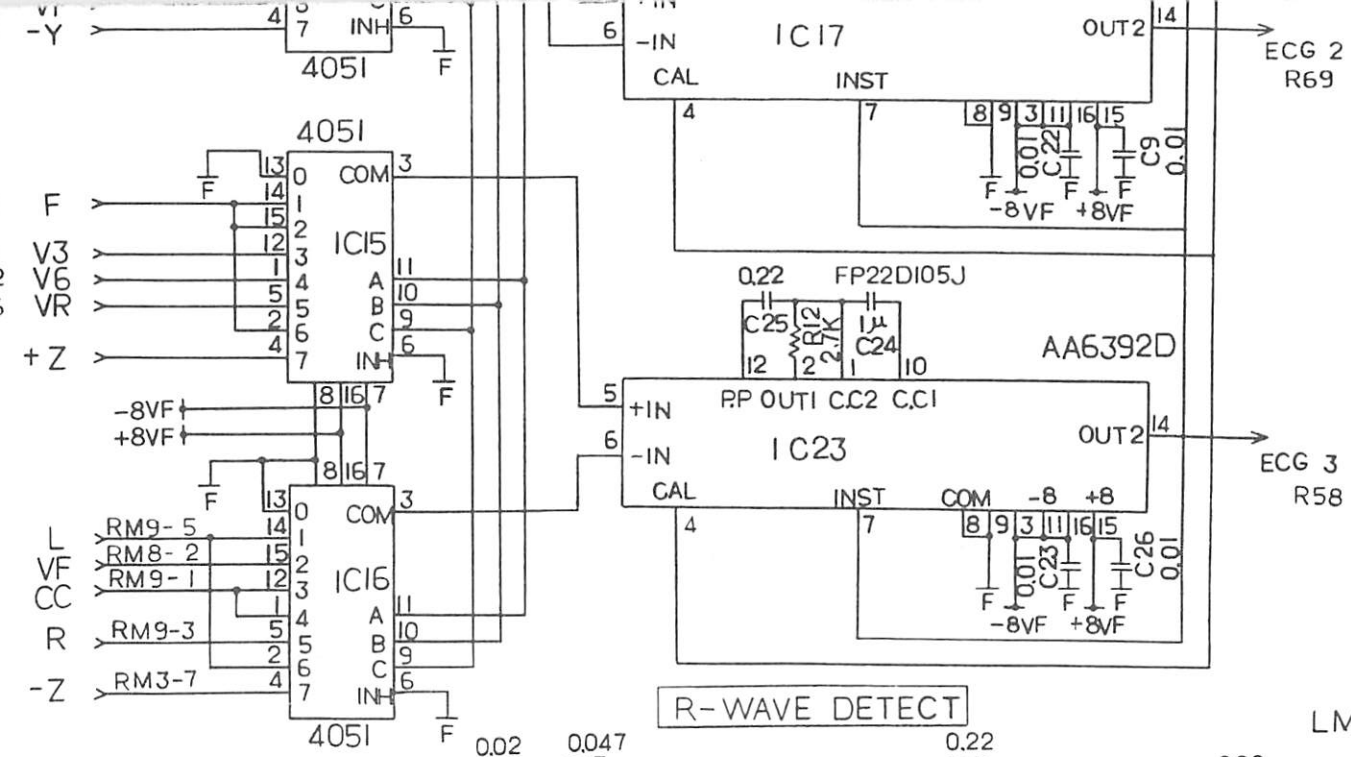
K

I

H

G
F
E
D
C
B
A

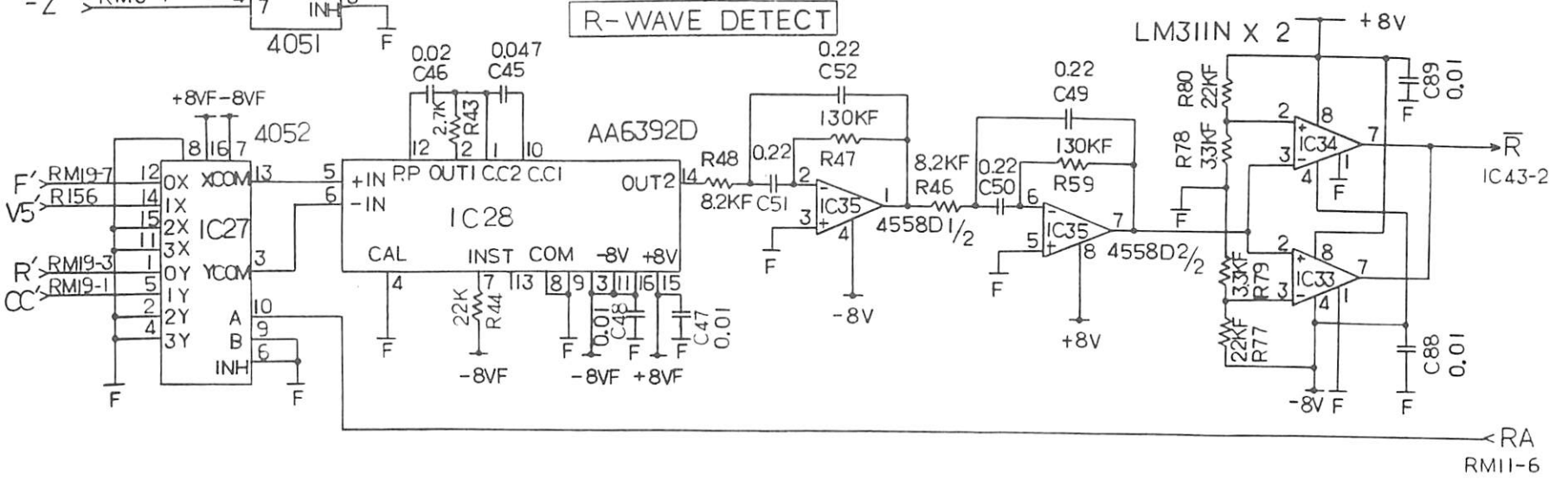
CARDIOSTAT 3A/C
 Pre-amplifier, R-wave detector, electrode detector
 PCB-4966.2
EH42E



T E S T	L	L	L
I, II, III	H	L	L
aVR, aVL, aVF	L	H	L
V1, V2, V3	H	H	L
V4, V5, V6	L	L	H
aVL, I, -aVR	H	L	H
II aVF, III	L	H	H
X, Y, Z	H	H	H
H: +8V		L: 0V	

R-WAVE LEAD CHANGE CODE

LEAD	R	A
II		L
V5		H
H: +8V		L: 0V

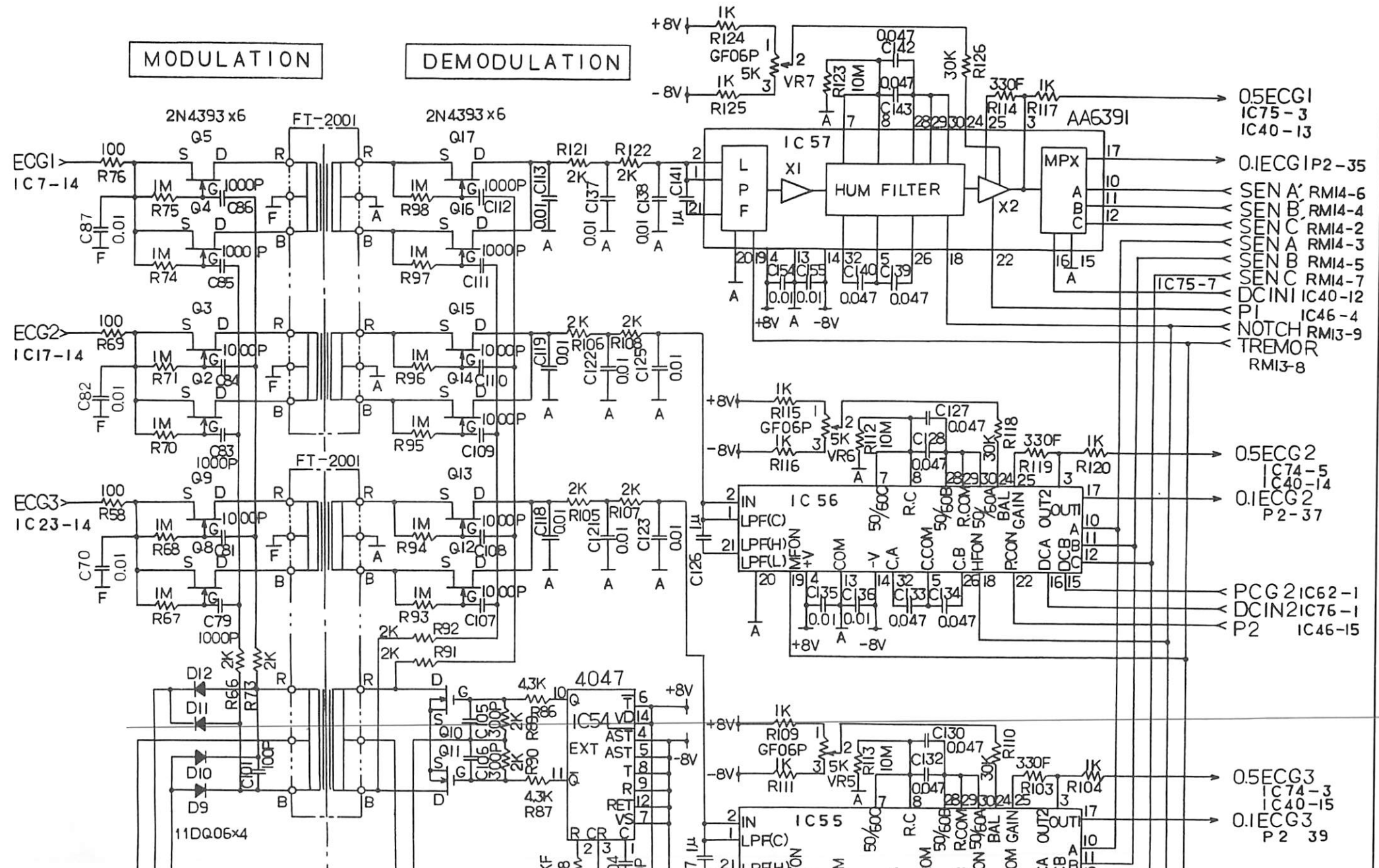


6.

RA
RM11-6

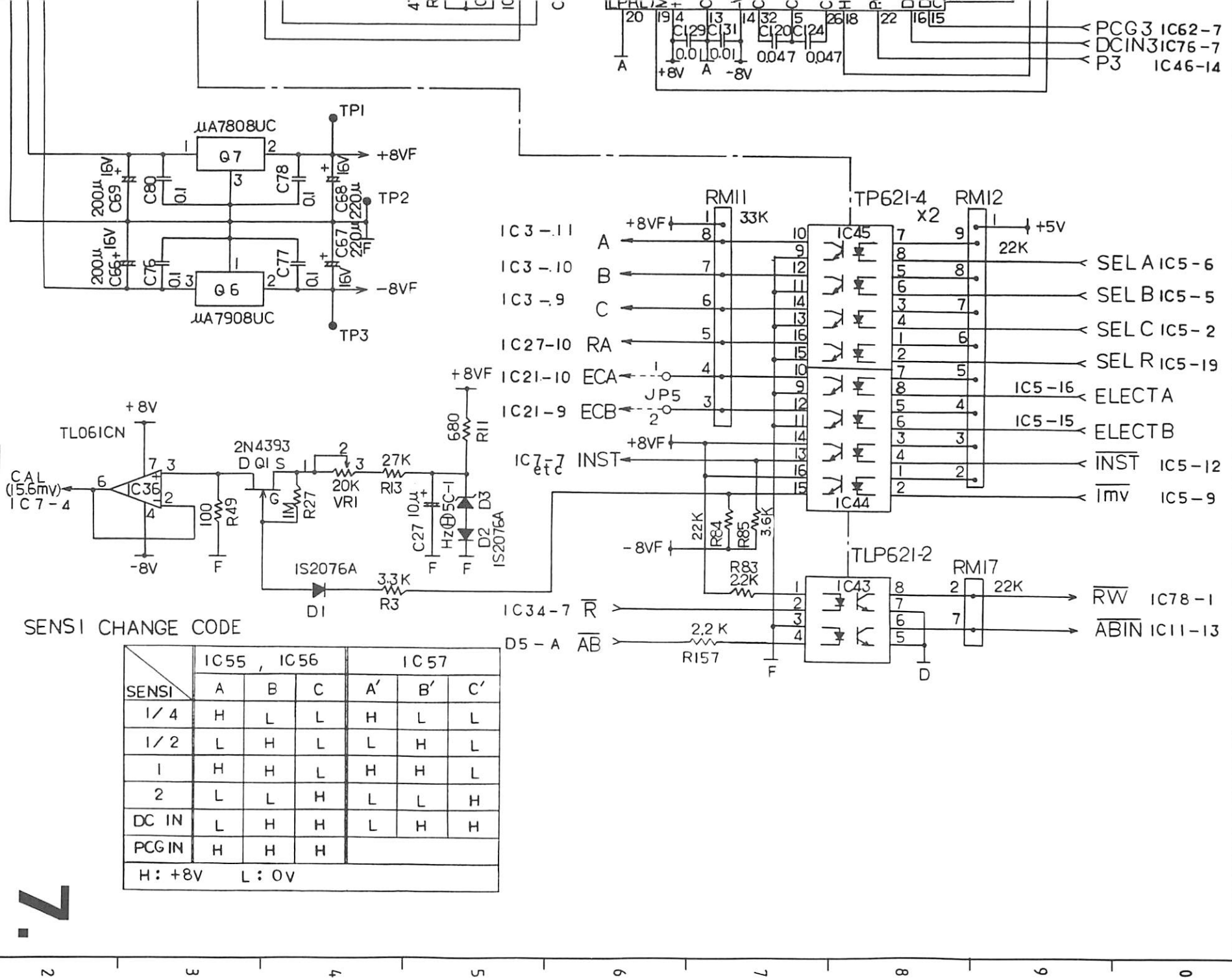
MODULATION

DEMODULATION



G
F
E
D
C
B
A

CARDIOSTAT 3A/C
Isolation amplifier
EH42E
PCB-4966.3



SENSI CHANGE CODE

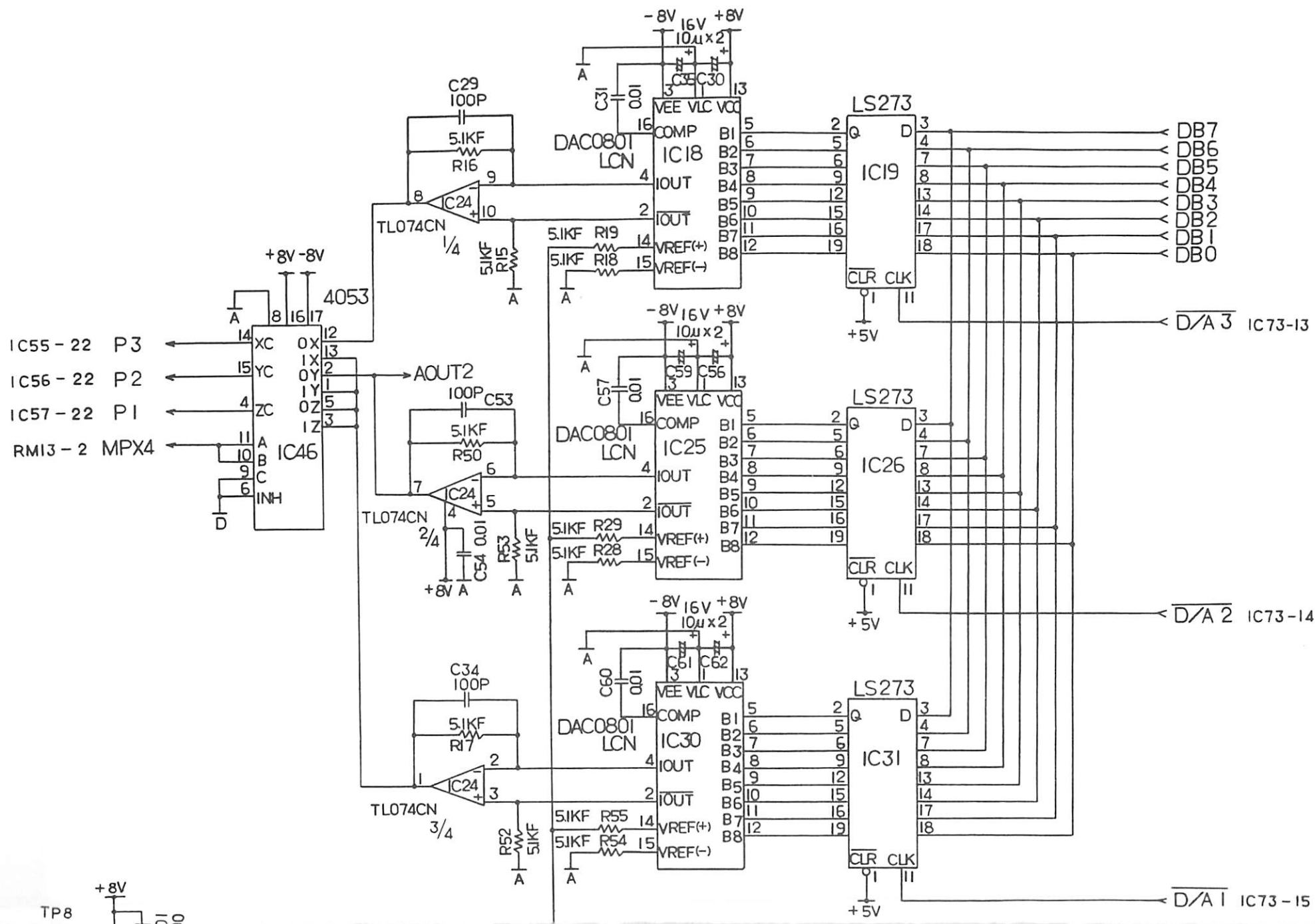
SENSI	IC55, IC56			IC57		
	A	B	C	A'	B'	C'
1/4	H	L	L	H	L	L
1/2	L	H	L	L	H	L
1	H	H	L	H	H	L
2	L	L	H	L	L	H
DC IN	L	H	H	L	H	H
PCG IN	H	H	H			

H: +8V L: 0V

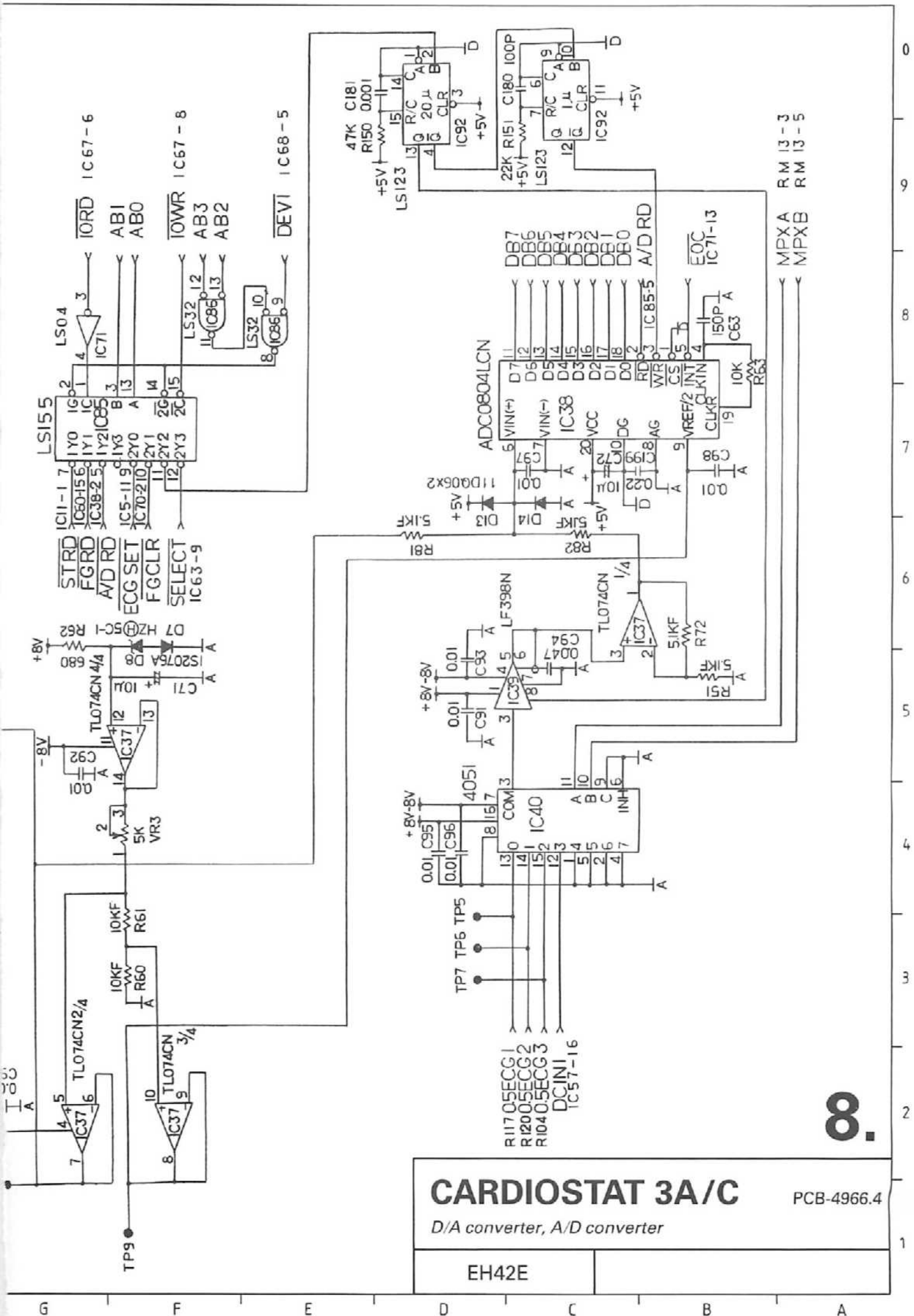
7.

PCG3 IC62-7
DCIN3 IC76-7
P3 IC46-14

IC3-11 A ← +8VF ↑ 8
IC3-10 B ← 7
IC3-9 C ← 6
IC27-10 RA ← 5
IC21-10 ECA ← 4
IC21-9 ECB ← 3
IC7-7 INST ← +8VF ↑
IC34-7 R ←
D5-A AB ← 2.2K
IC45 x2
IC44
IC5-16 ELECTA
IC5-15 ELECTB
IC5-12 INST
IC5-9 IMV
TLP621-2
TLP621-4
RMI1 33K
RMI2 22K
RMI7 22K
R157 2.2K



TP8 +8V

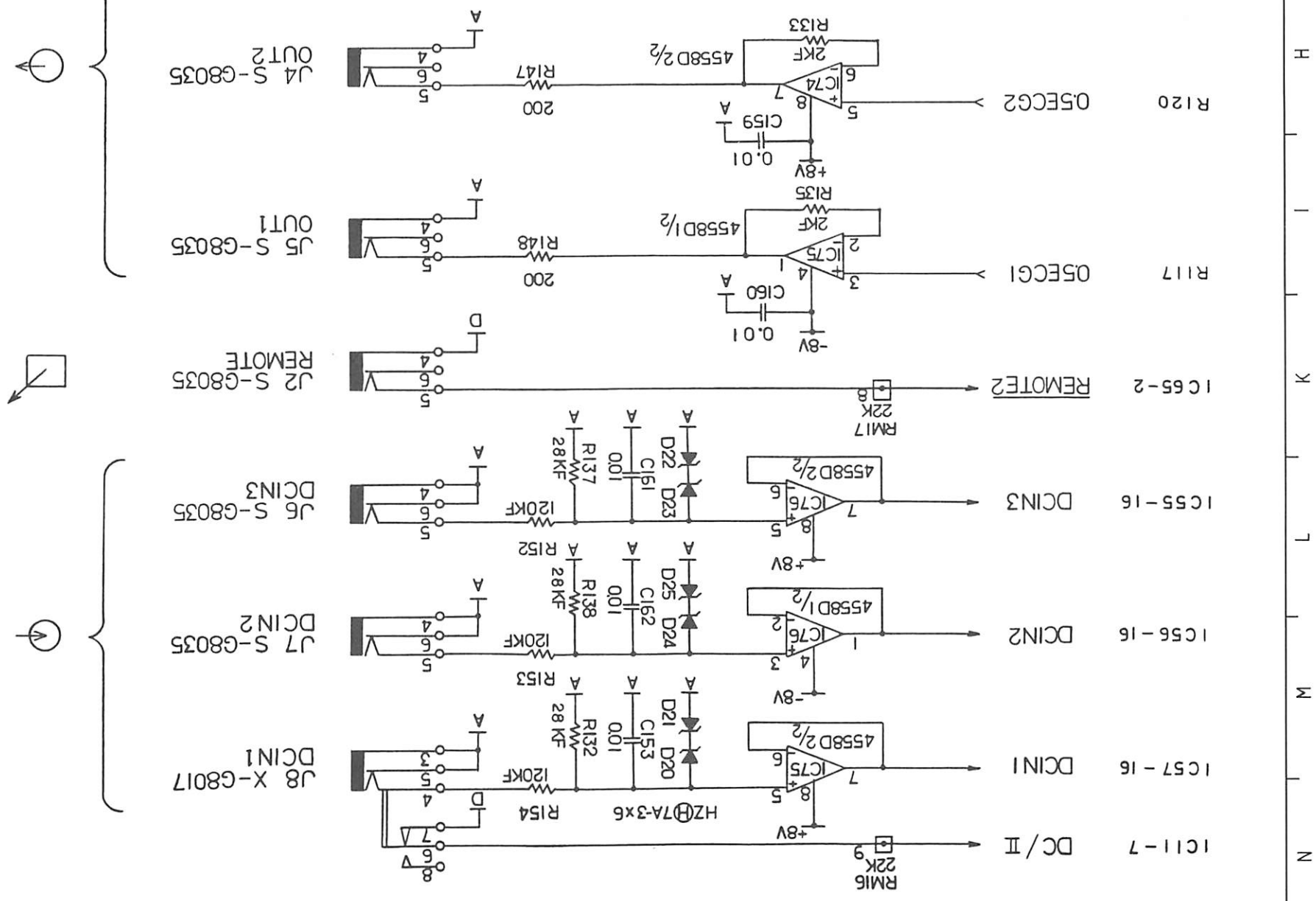


CARDIOSTAT 3A/C PCB-4966.4

D/A converter, A/D converter

EH42E	
-------	--





J4 S-G8035
OUT2

J5 S-G8035
OUT1

J2 S-G8035
REMOTE

J6 S-G8035
DCIN3

J7 S-G8035
DCIN2

J8 X-G8017
DCIN1

R120

R117

IC65-2

IC55-16

IC56-16

IC57-16

IC11-7

05ECG2

05ECG1

REMOTE2

DCIN3

DCIN2

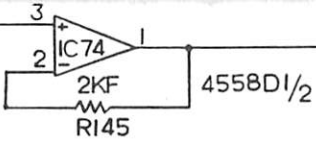
DCIN1

DC/II

G
F
E
D
C
B
A

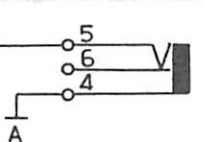
R104

O5ECG3



200

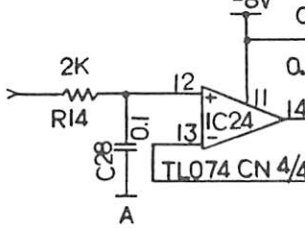
R144



J3 S-G8035
OUT 3

IC 46 - 2

AOUT2



2K

R14

0.01

C55

TL074 CN 4/4

91K

R102

68W

20K

VR2

±15mV

±10mV

+0.5mV

10F

R101

10F

R100

10F

R99

TP4

+8V -8V

4053

P5
FCN-0750020AU/N

MPX1
MPX2
MPX3

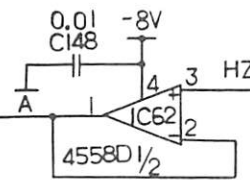
RM13-7

RM13-6

RM13-4

PCG2

IC 56 - 15



0.01

C148

-8V

IC62

7A-3 x 4

D17

D18

D16

D15

D14

D13

D12

D11

D10

D9

D8

D7

D6

D5

D4

D3

D2

D1

2K

R129

0.01

C151

0.01

C144

0.01

0.01

0.01

0.01

0.01

0.01

0.01

0.01

0.01

0.01

0.01

0.01

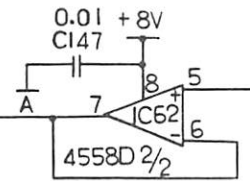
0.01

+8V -8V

4053

PCG3

IC 55 - 15



0.01

C147

+8V

IC62

2K

R128

0.01

0.01

0.01

0.01

0.01

0.01

0.01

0.01

0.01

0.01

0.01

0.01

0.01

IC 11 - 8 PCG START
IC 53 - 5 PCG INT
IC 65 - 1 REMOTE 1

RM16

22K

2

3

4

RA

LA

LF

C1

C2

C3

C4

C5

C6

N (RF)

PCG2

AG

PCG3

+8V

0V

-8V

PCG START

PCG INT

REMOTE 1

DG

CARDIOSTAT 3A/C
Input/output, self-test circuit, PCG input

EH42E

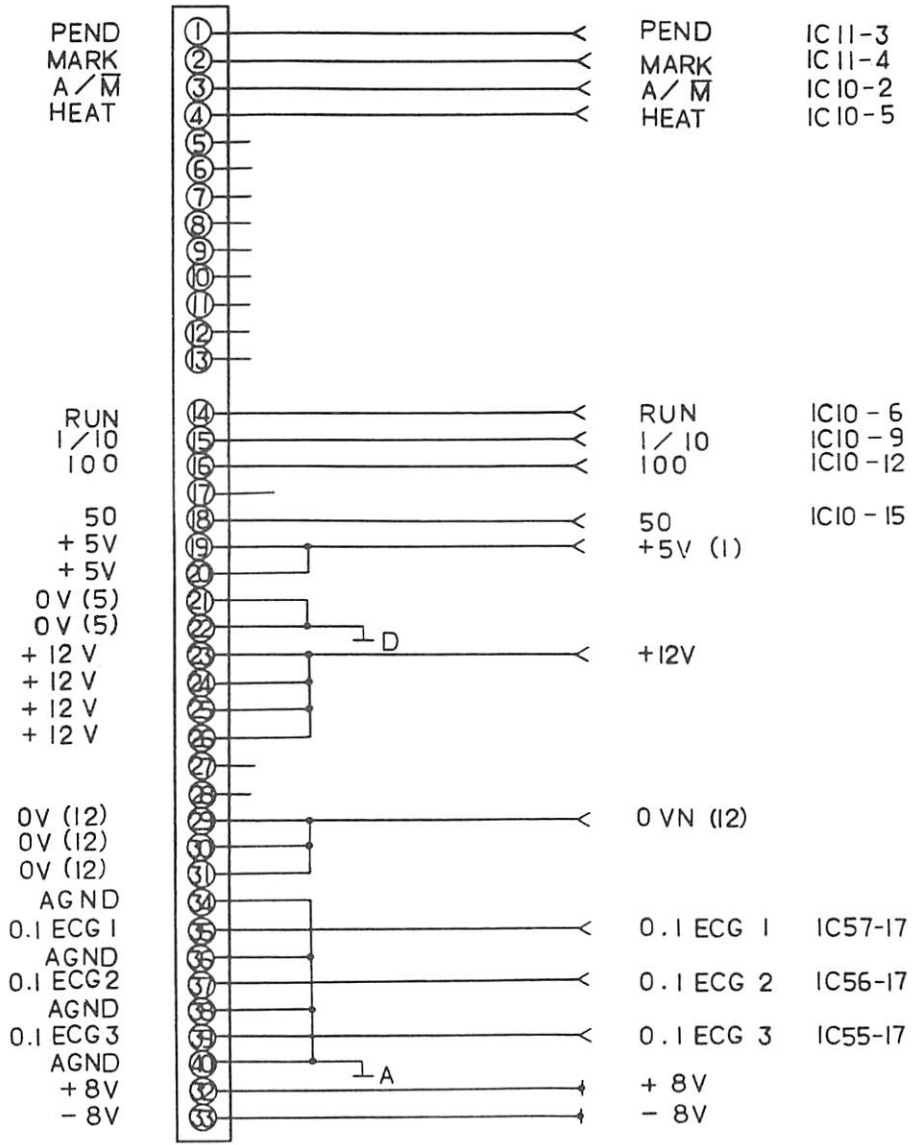
PCB-4966.5

9.

1 2 3 4 5 6 7 8 9 0

PS-40PE-D4TI-PN I
P 2

PCB-4967
P 6



A B C D E F G

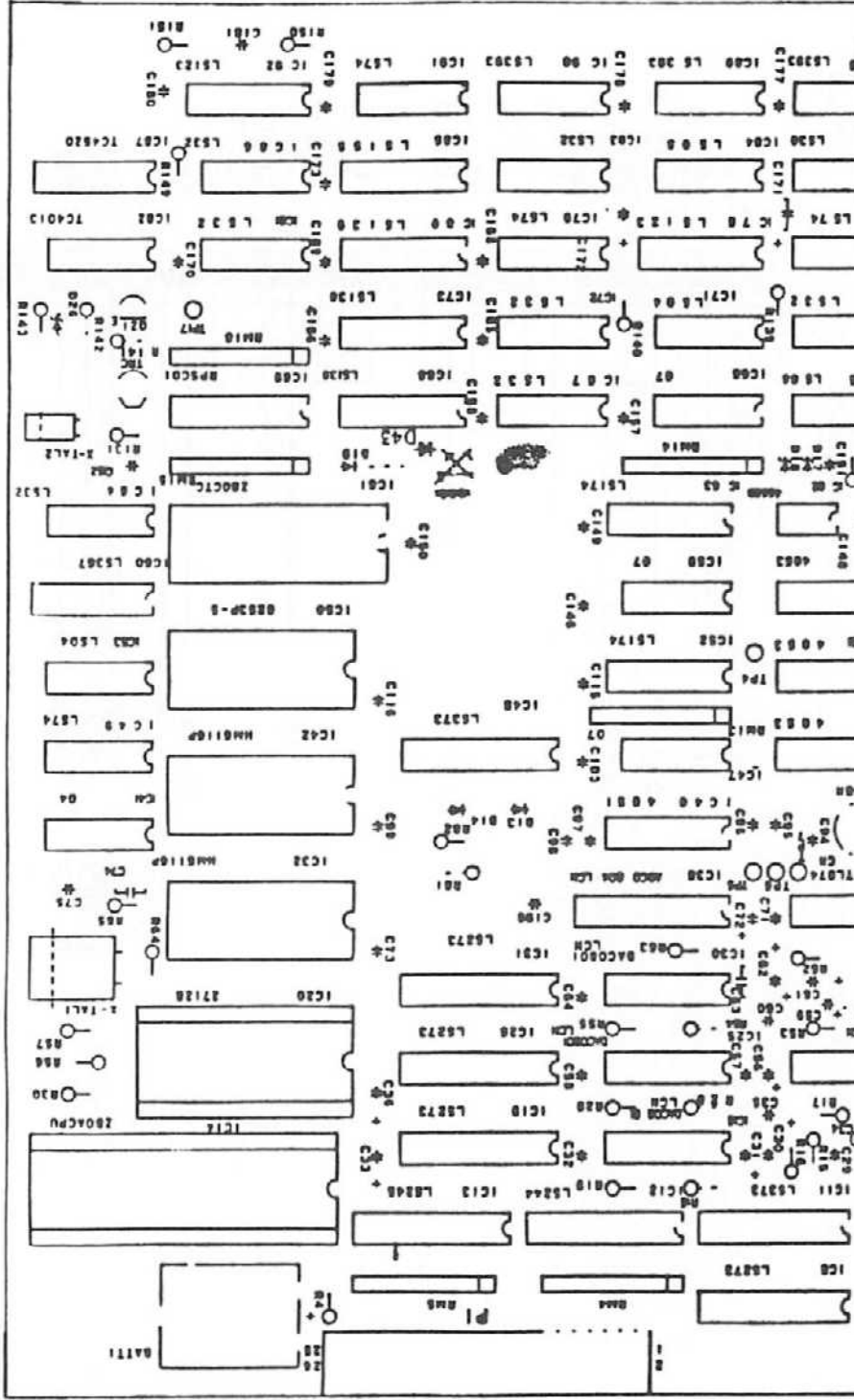
EH42E

CARDIOSTAT 3C
Component location drawing
PCB-49666

ARE NOT REQUIRED.

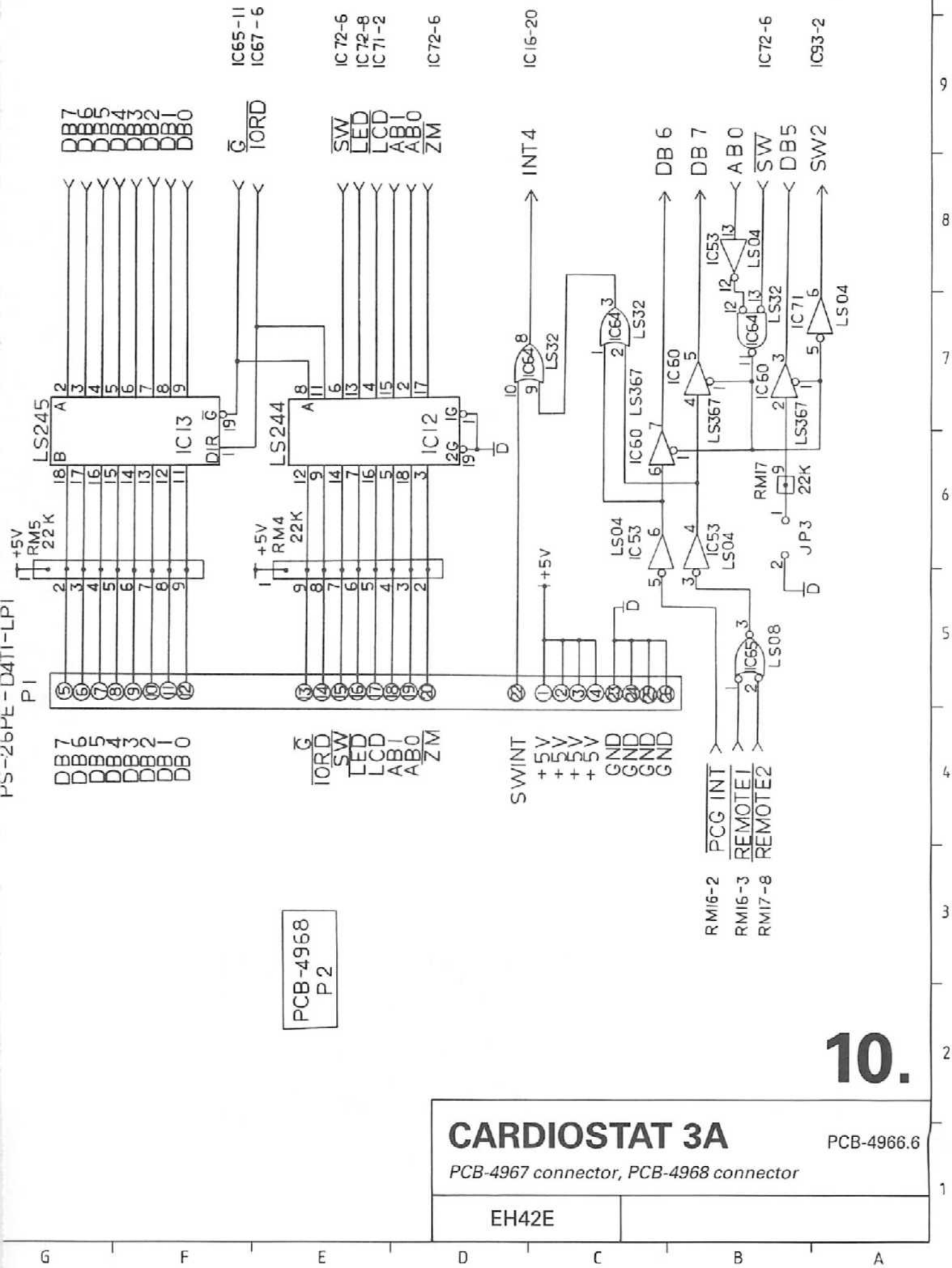
(NOTE) COMPONENTS IN SHADED AREAS

CARDIOSTAT 3C



1
2
3
4
5
6
7
8
9
0

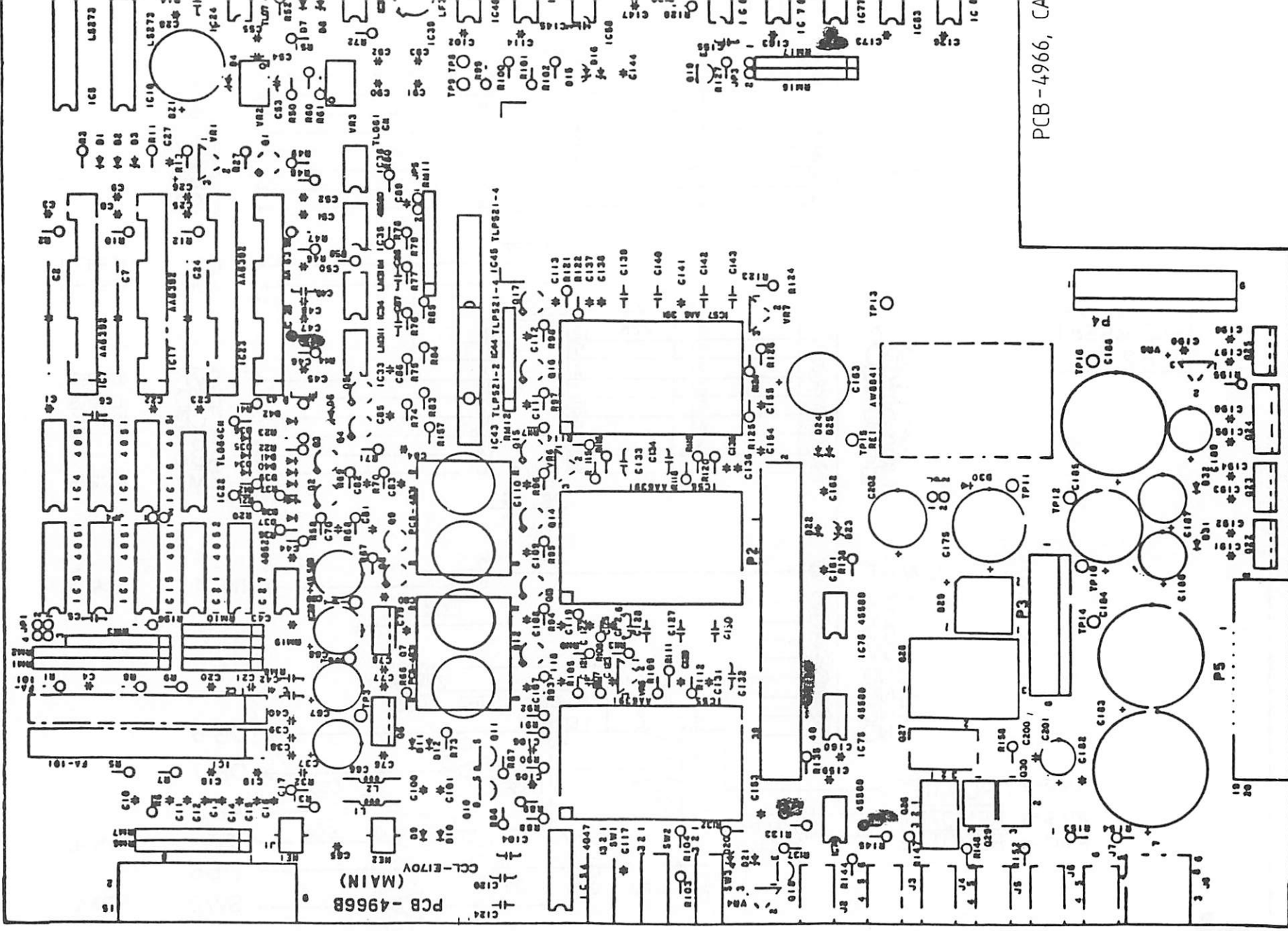
PS-26PE-D411-LP1



PCB-4968
P2

CARDIOSTAT 3A		PCB-4966.6
<i>PCB-4967 connector, PCB-4968 connector</i>		
EH42E		

10.



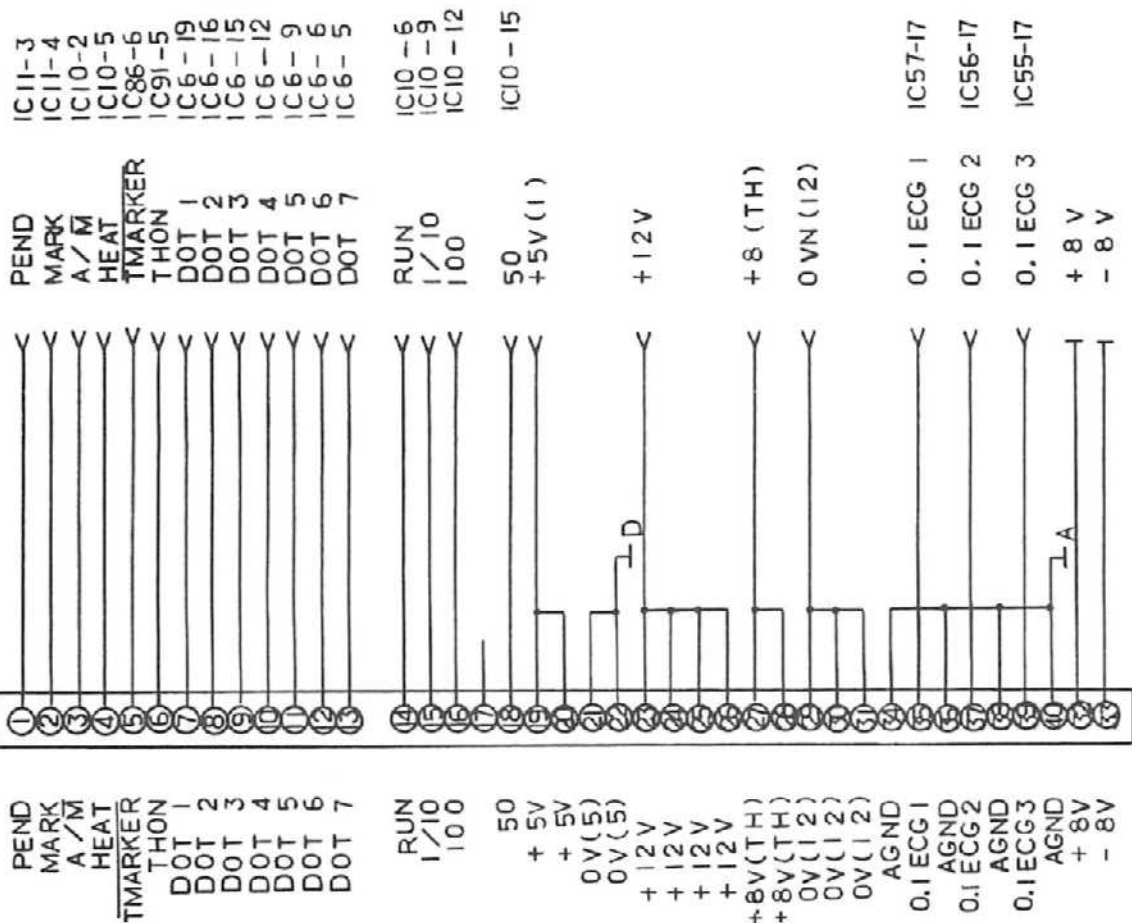
PCB-4966, CA

PCB-4966B
(MAIN)

H
I
K
L
M
N

PS-40PE-D4TI-PN I

P 2



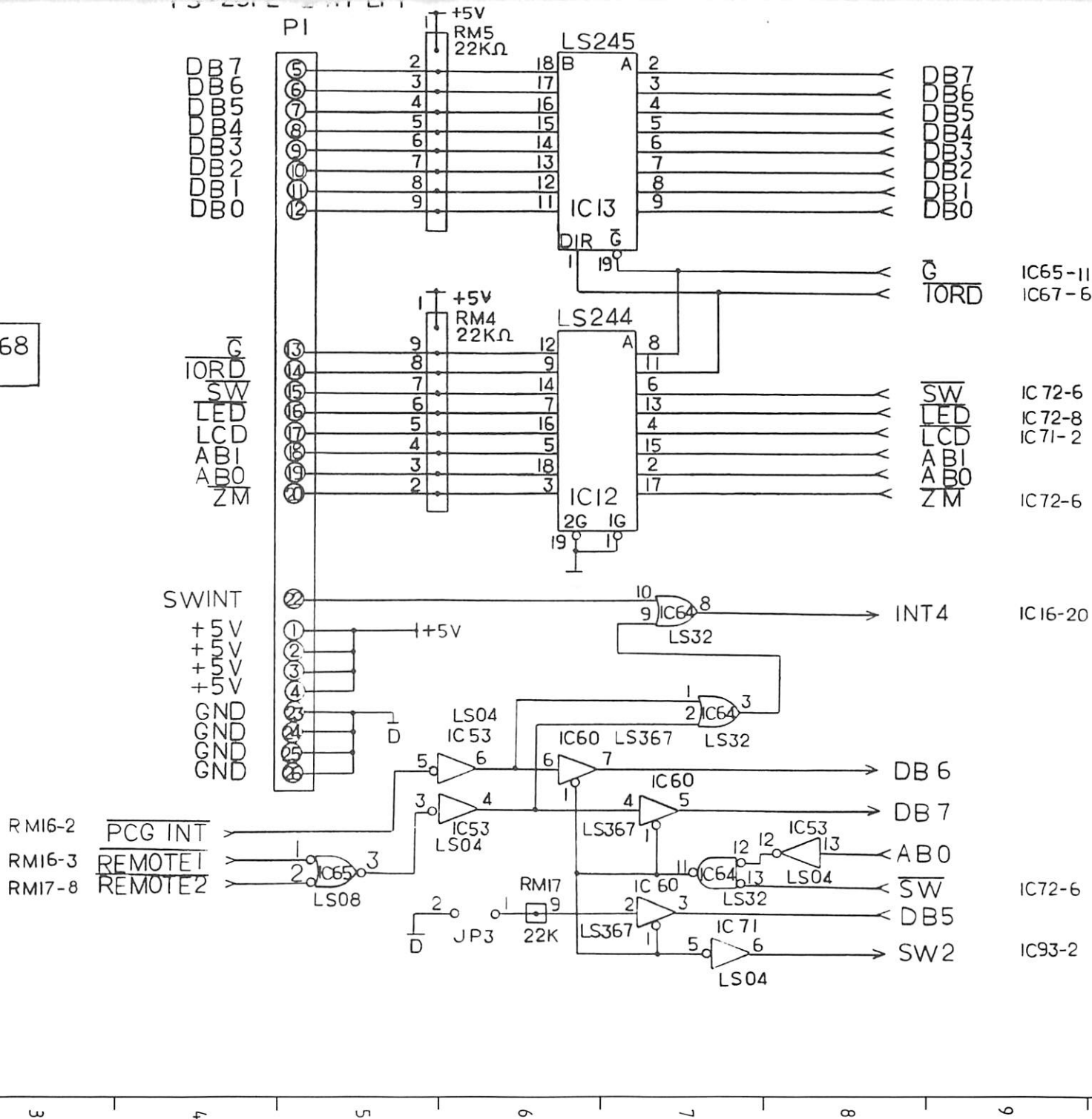
PCB-4967
P6

G
F
E
D
C
B
A

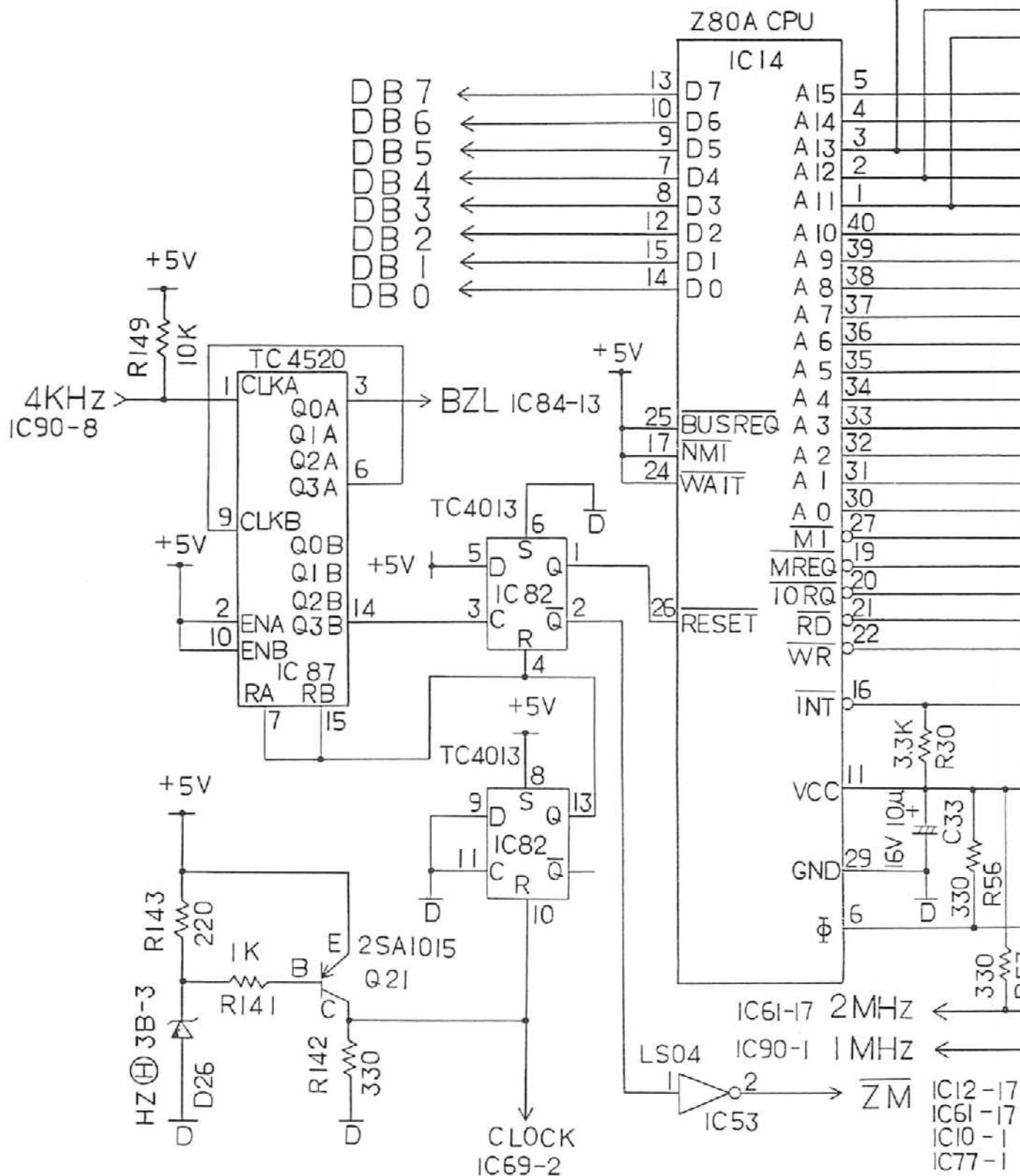
CARDIOSTAT 3C
 PCB-4967 connector, PCB-4968 connector
 EH42E
 PCB-4966,6

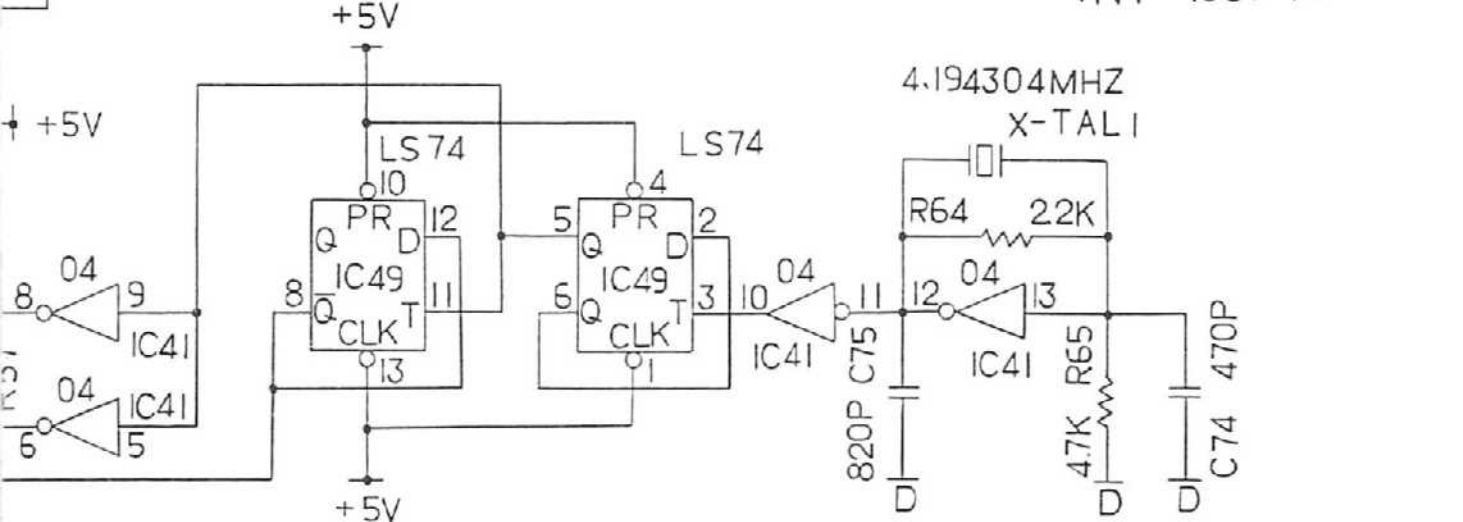
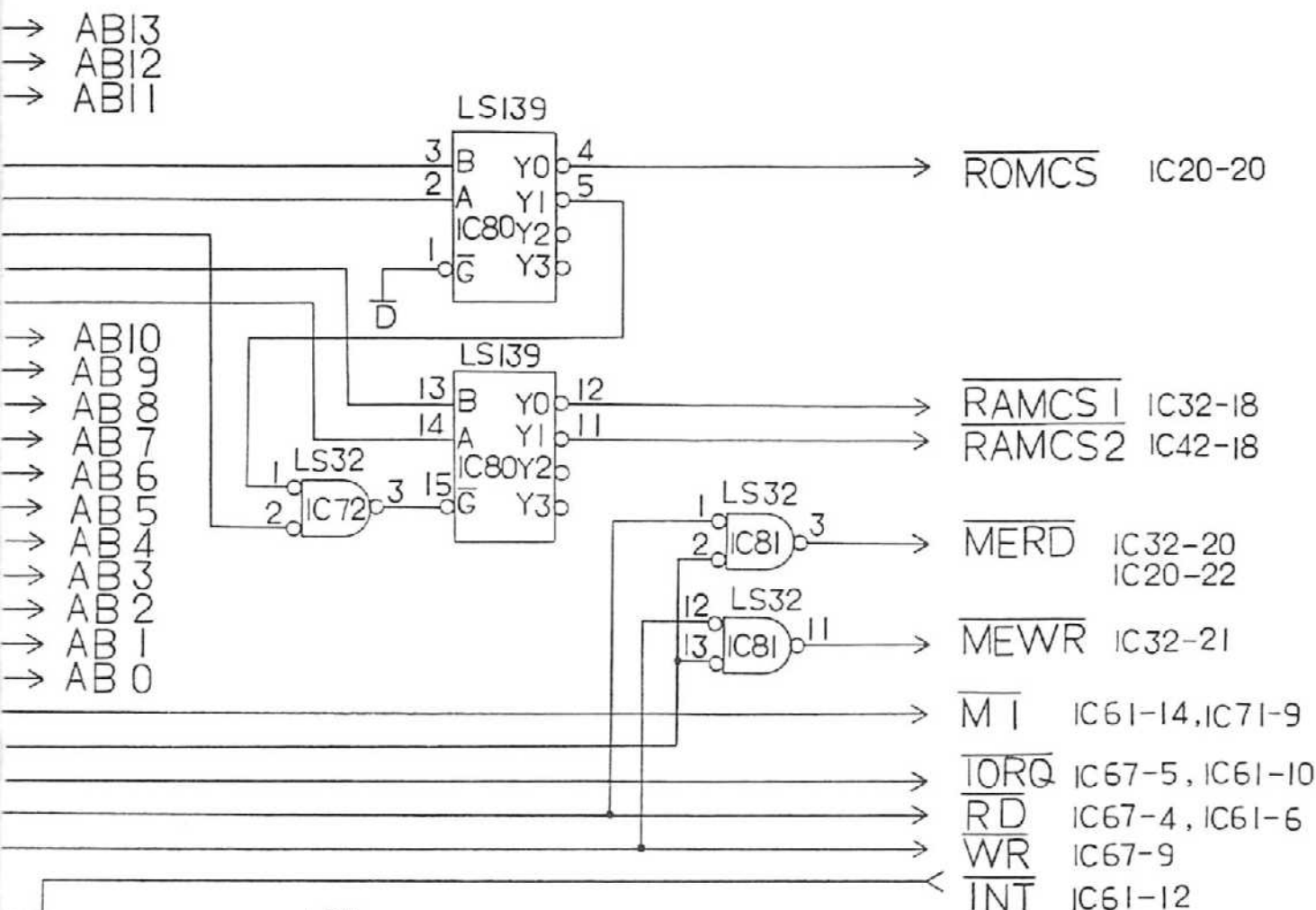
11.

PCB 4968
P2



1 2 3 4 5 6 7 8 9 0

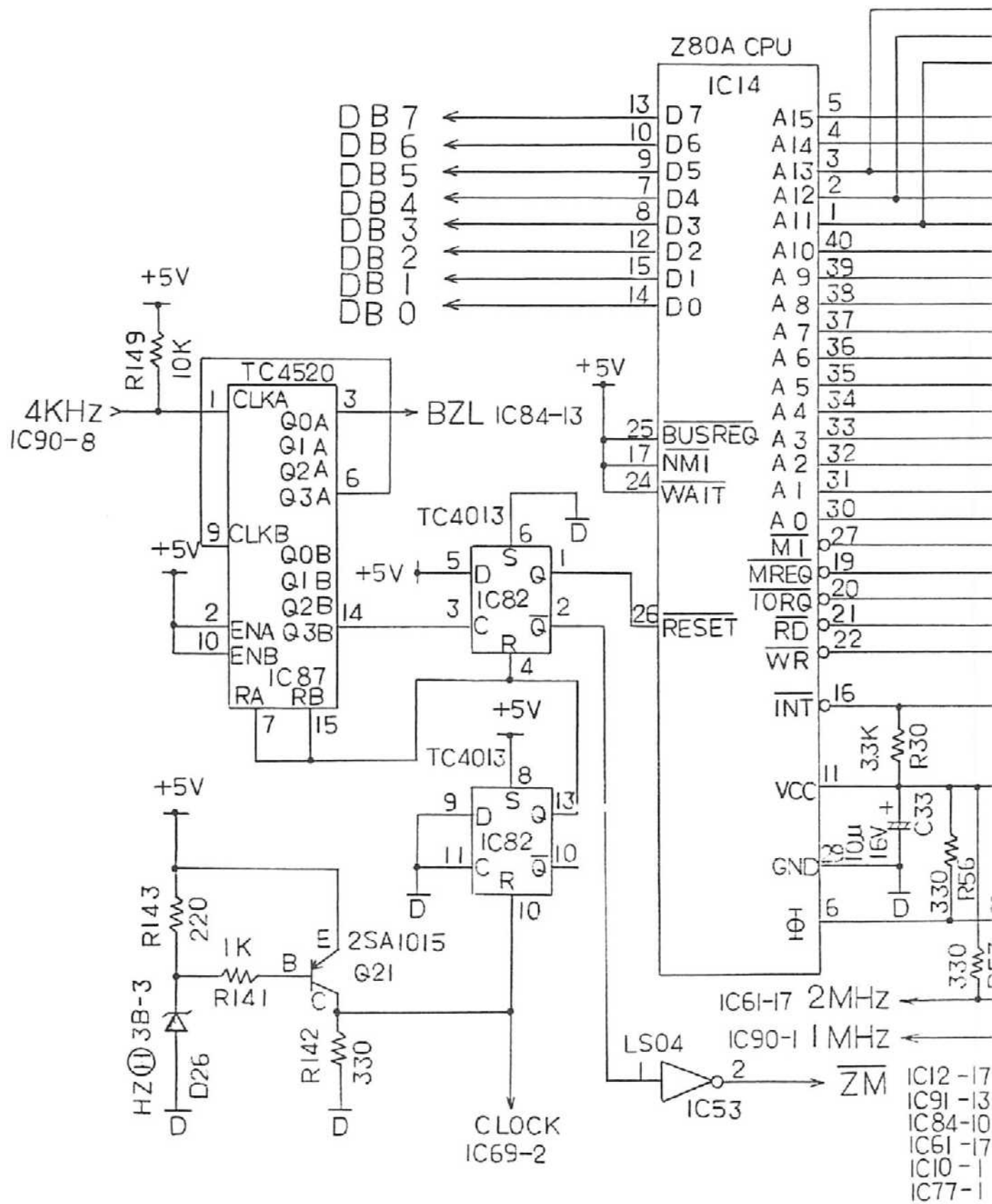


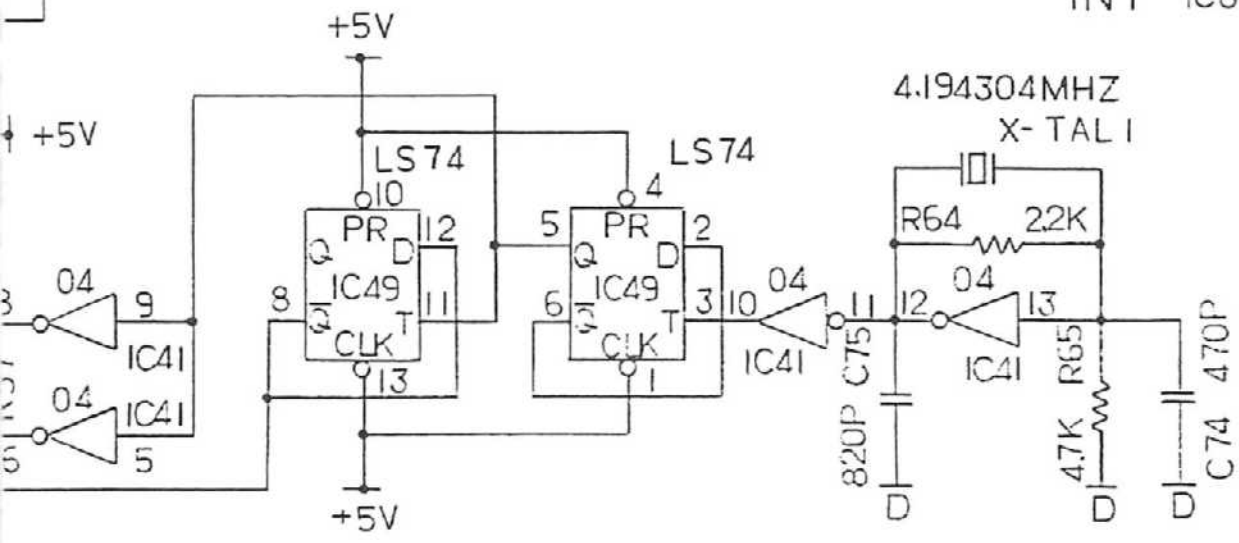
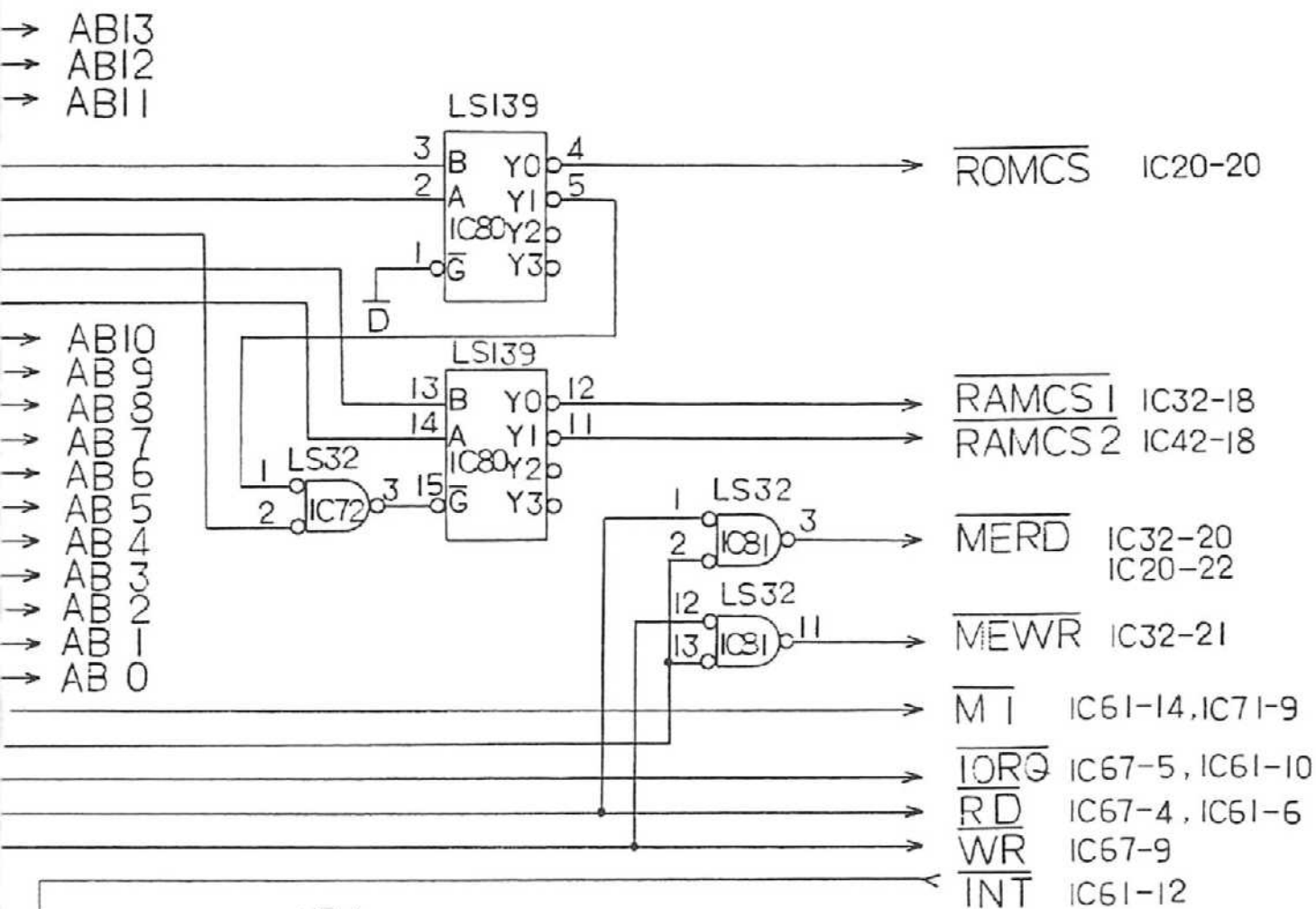


12.

CARDIOSTAT 3A PCB-4966.7
 CPU, clock, reset pulse circuit
 EH42E

G F E D C B A





13.

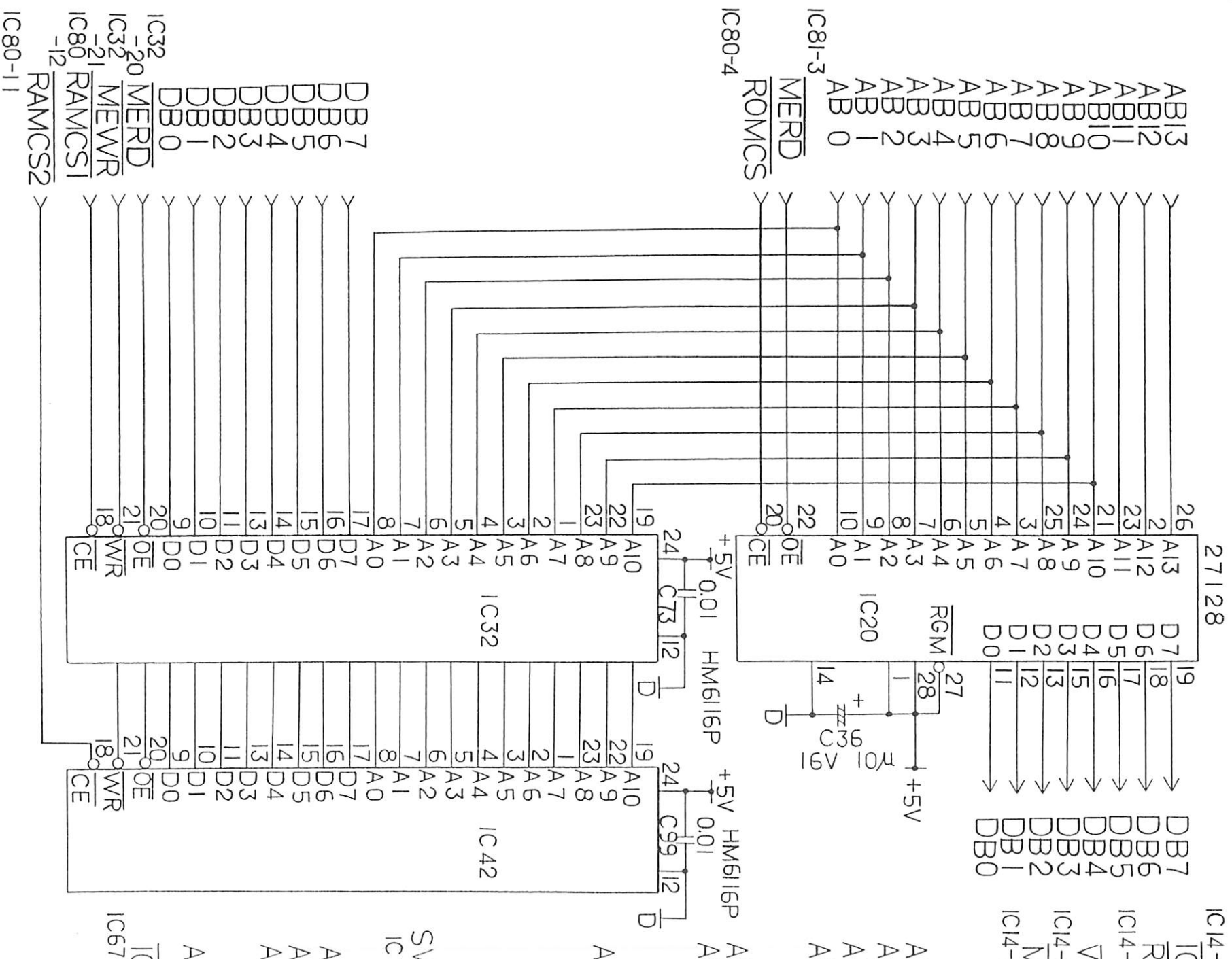
CARDIOSTAT 3C

PCB-4966.7

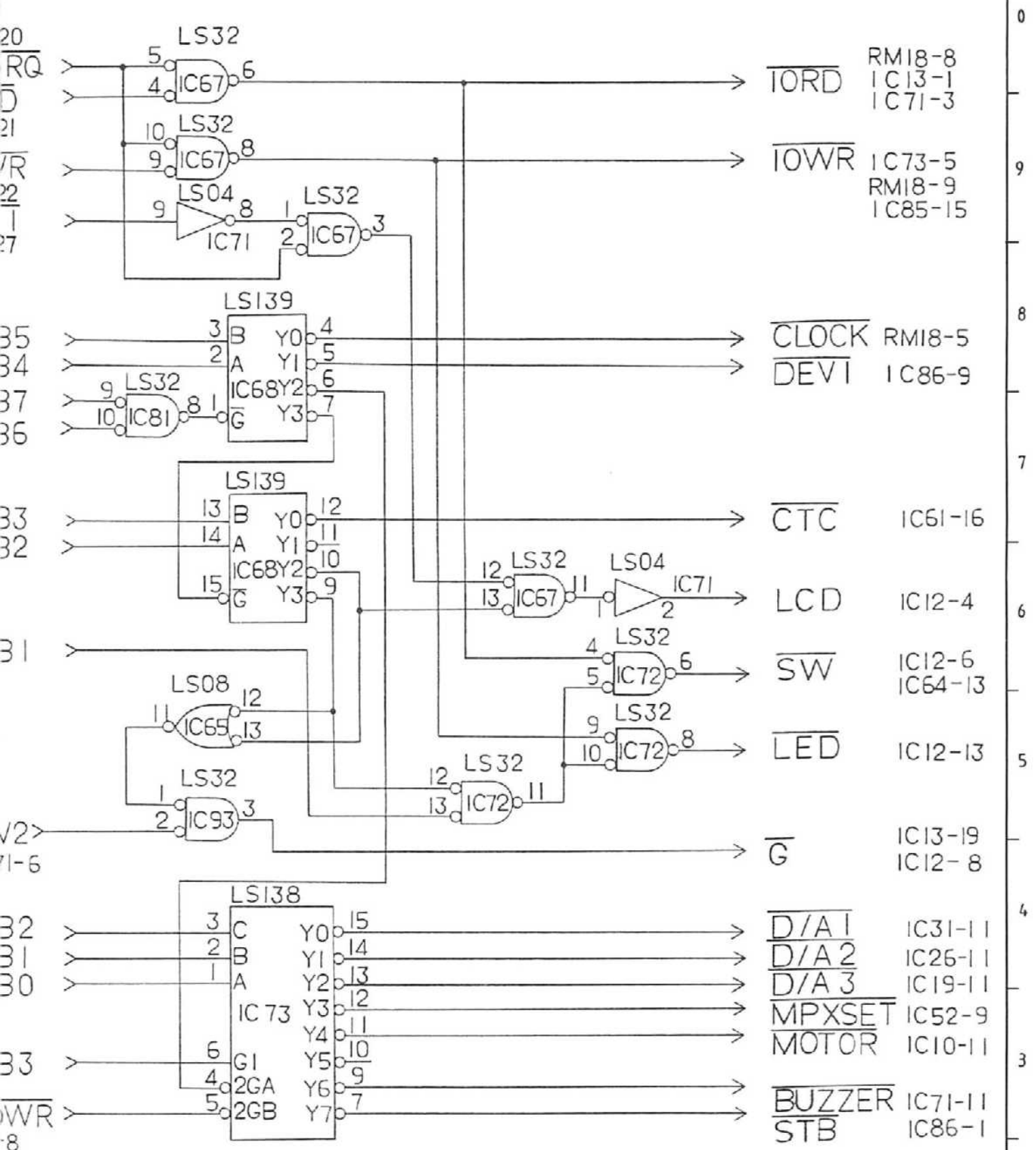
CPU, clock, reset pulse circuit

EH42E

G F E D C B A

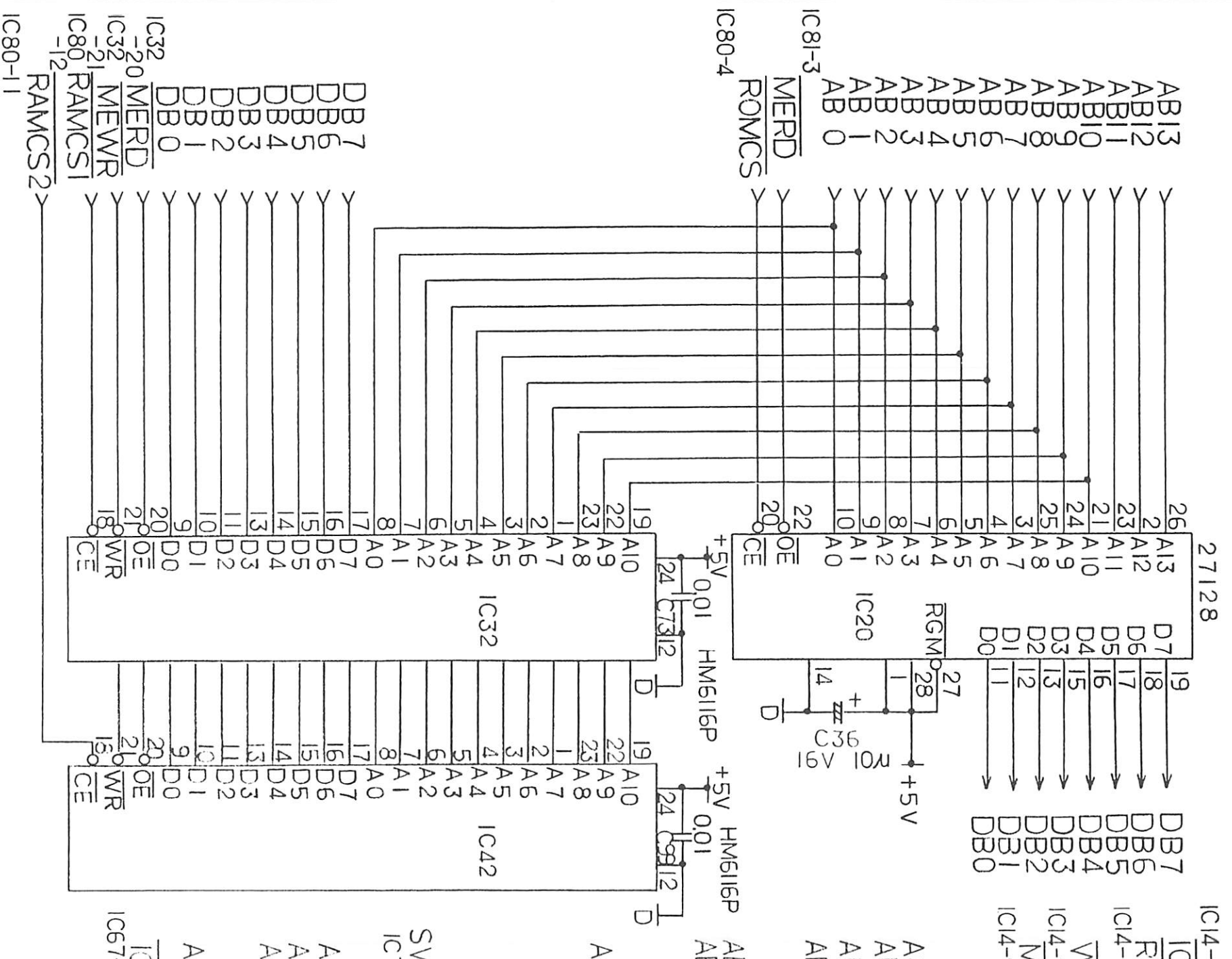


N M L K I H

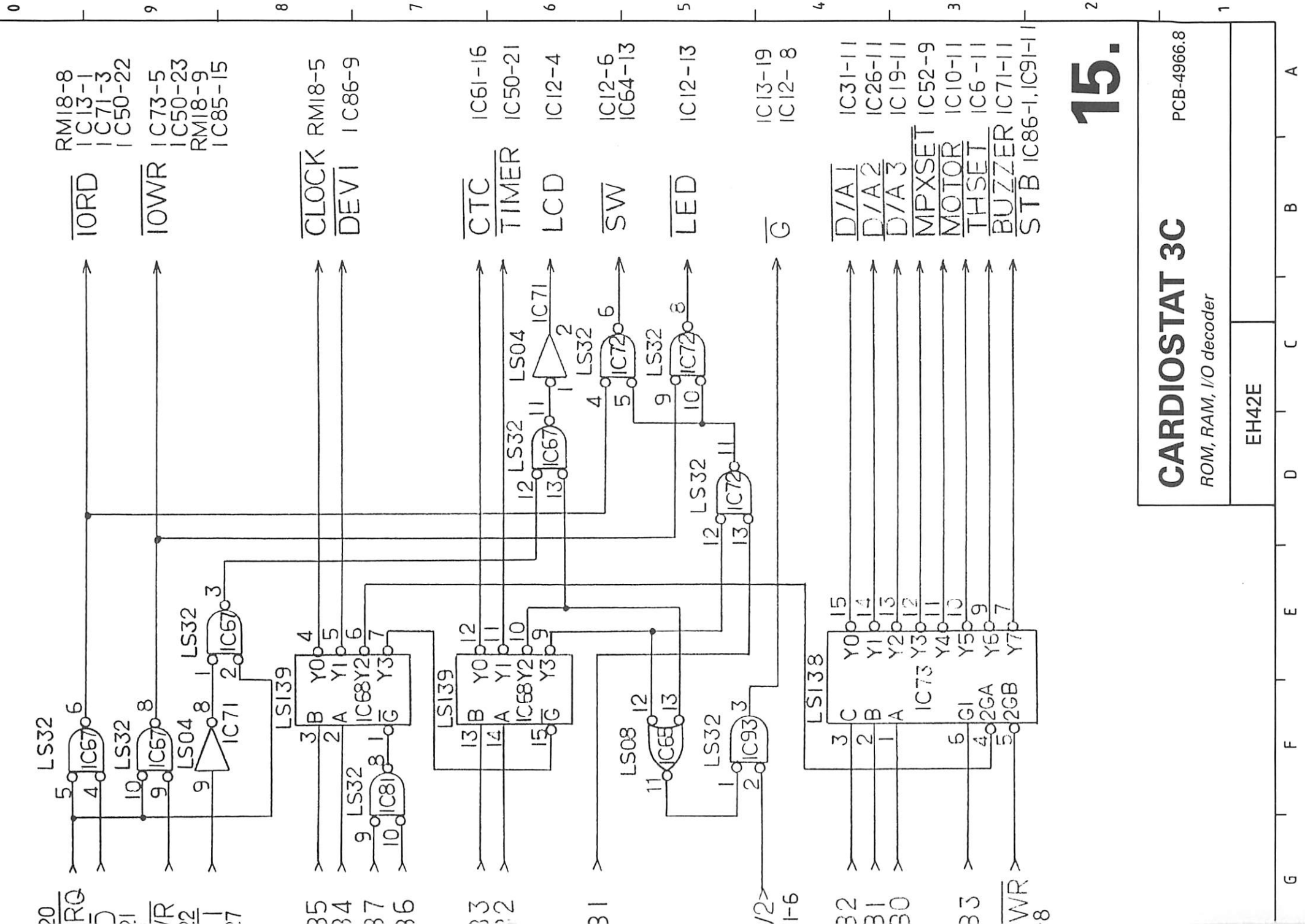


14.

CARDIOSTAT 3A		PCB-4966.8
ROM, RAM, I/O decoder		
EH42E		



N M L K I H



15.

CARDIOSTAT 3C

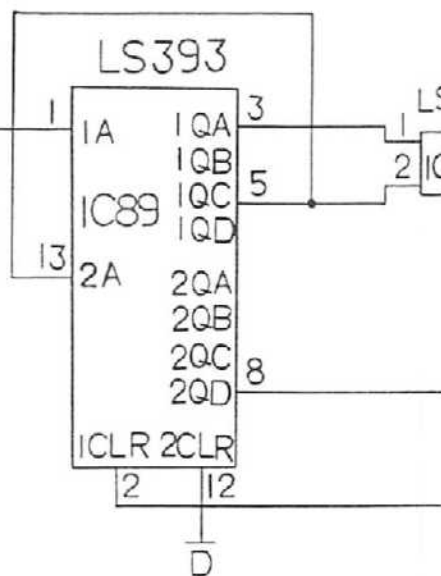
PCB-4966.8

ROM, RAM, I/O decoder

EH42E

G F E D C B A

IC90-4 262KHZ >



608

84³

→ BZH IC84-4

16.

CARDIOSTAT 3A

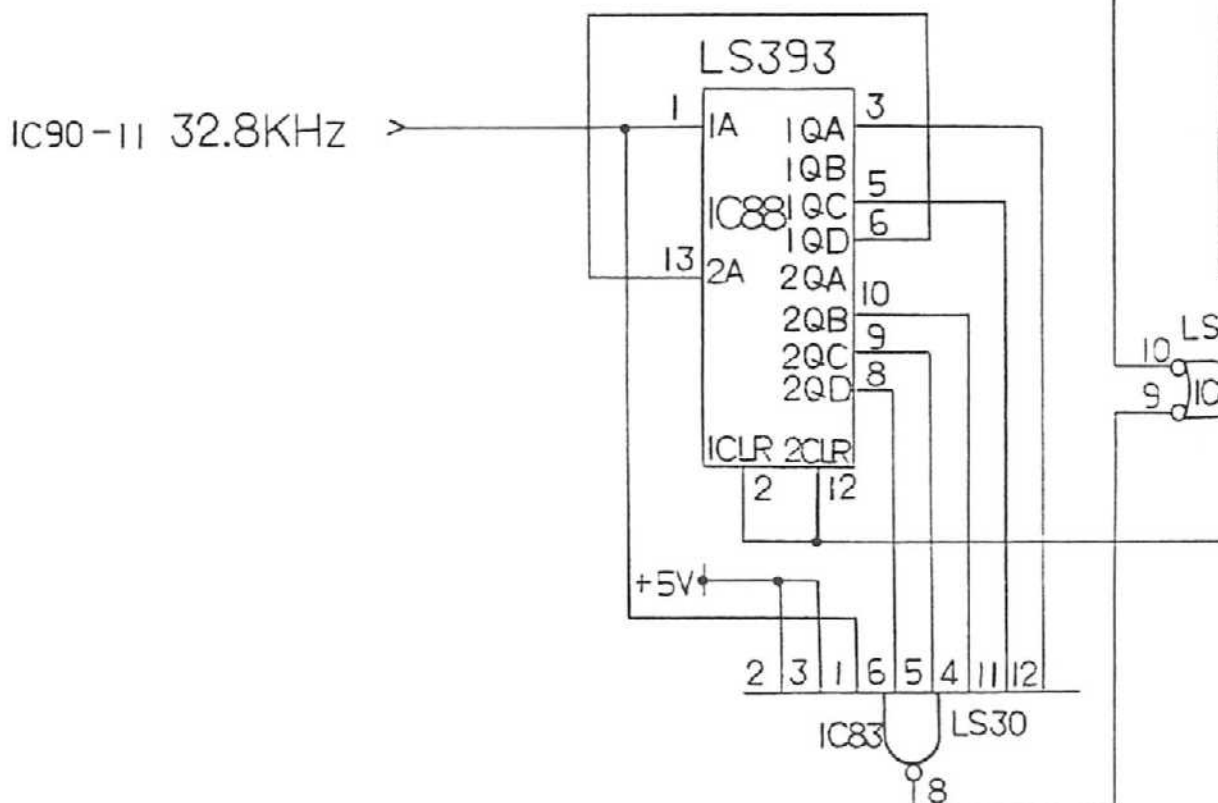
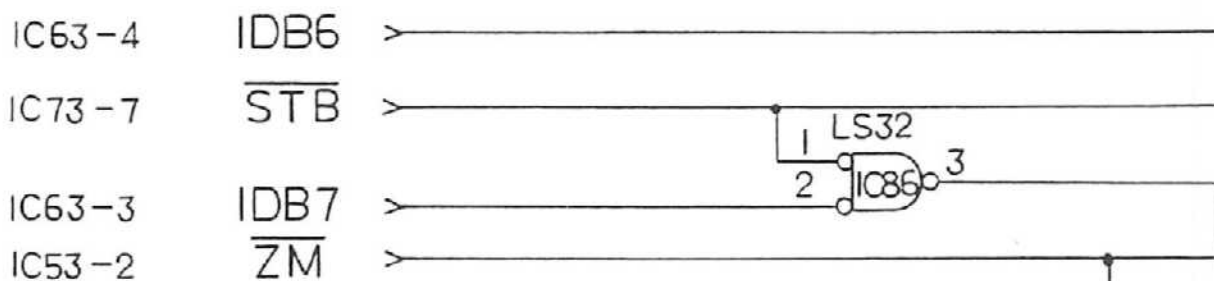
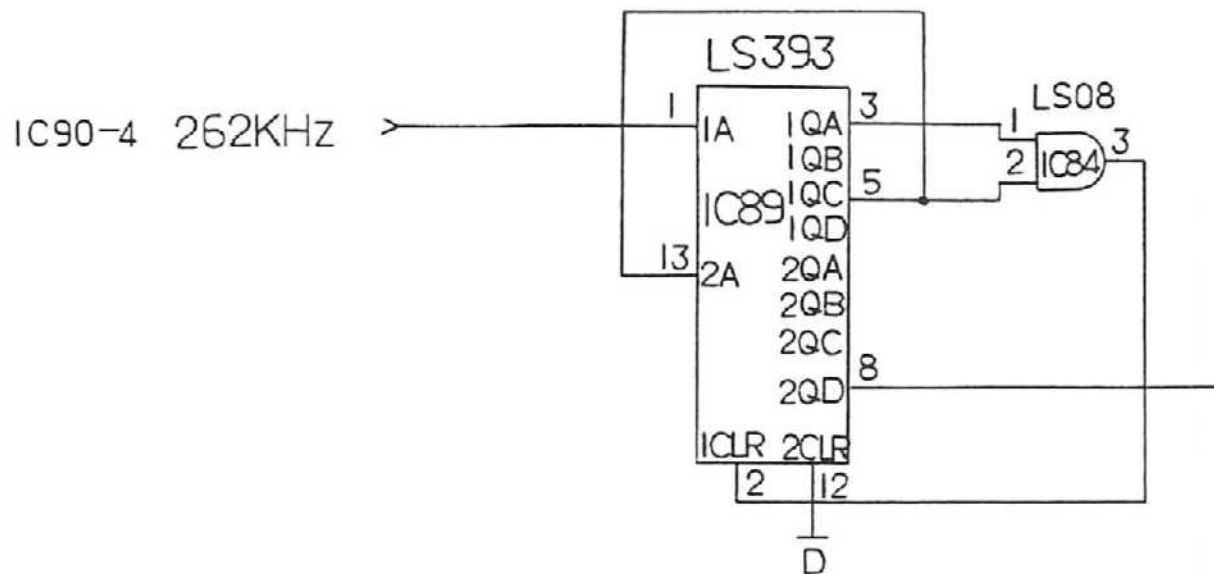
PCB-4966.9

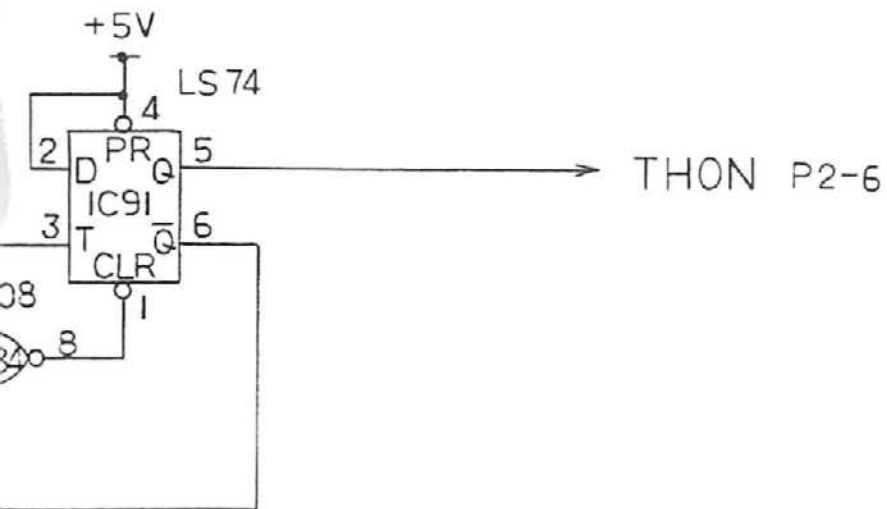
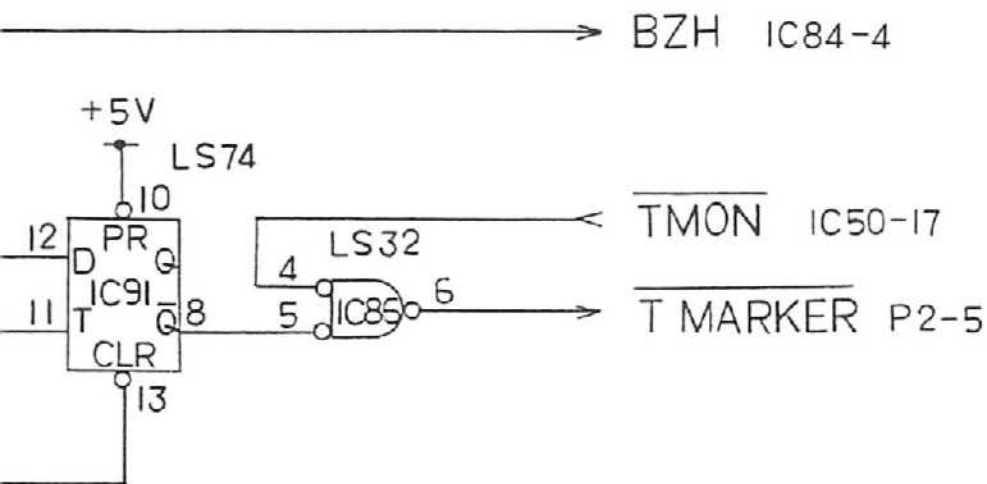
Heat signal circuit

EH42E

G F E D C B A

0
9
8
7
6
5
4
3
2
1





17.

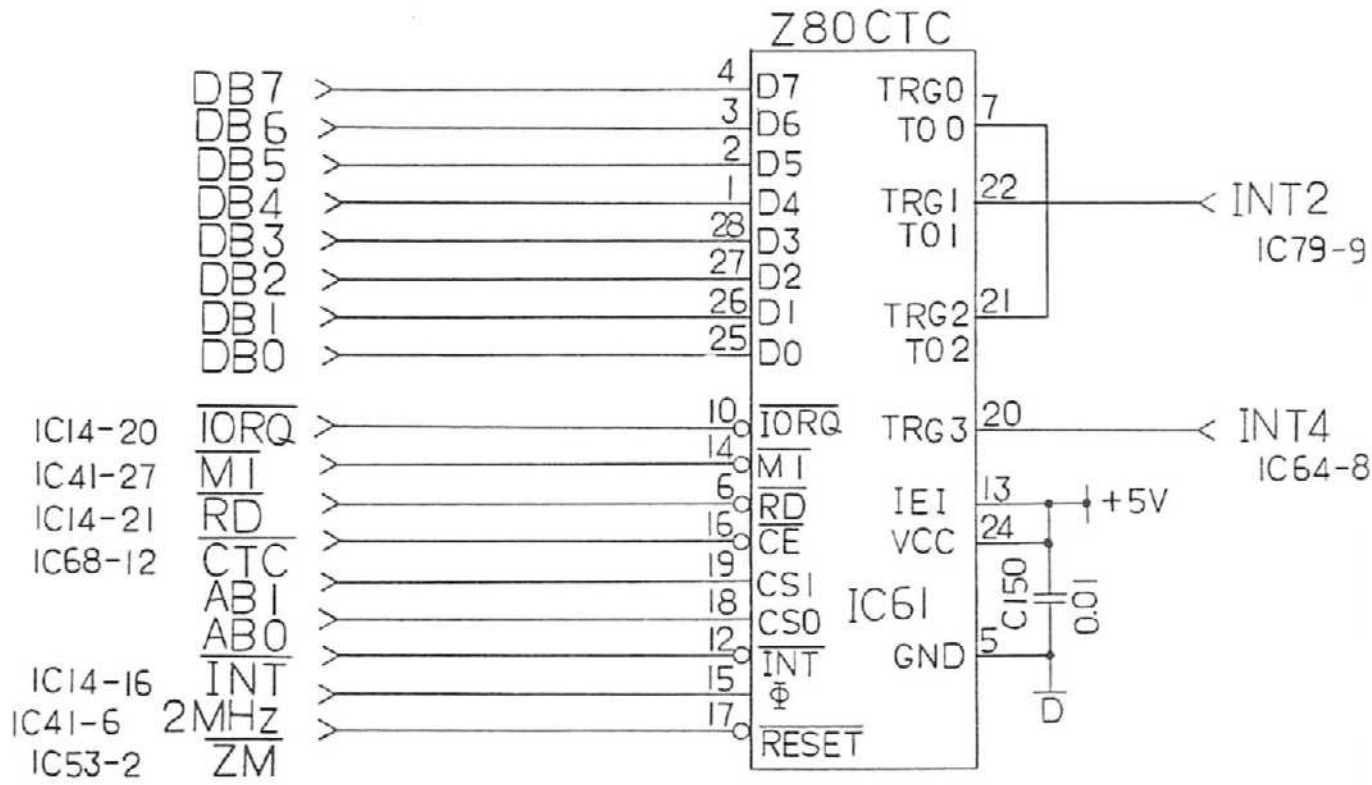
CARDIOSTAT 3C

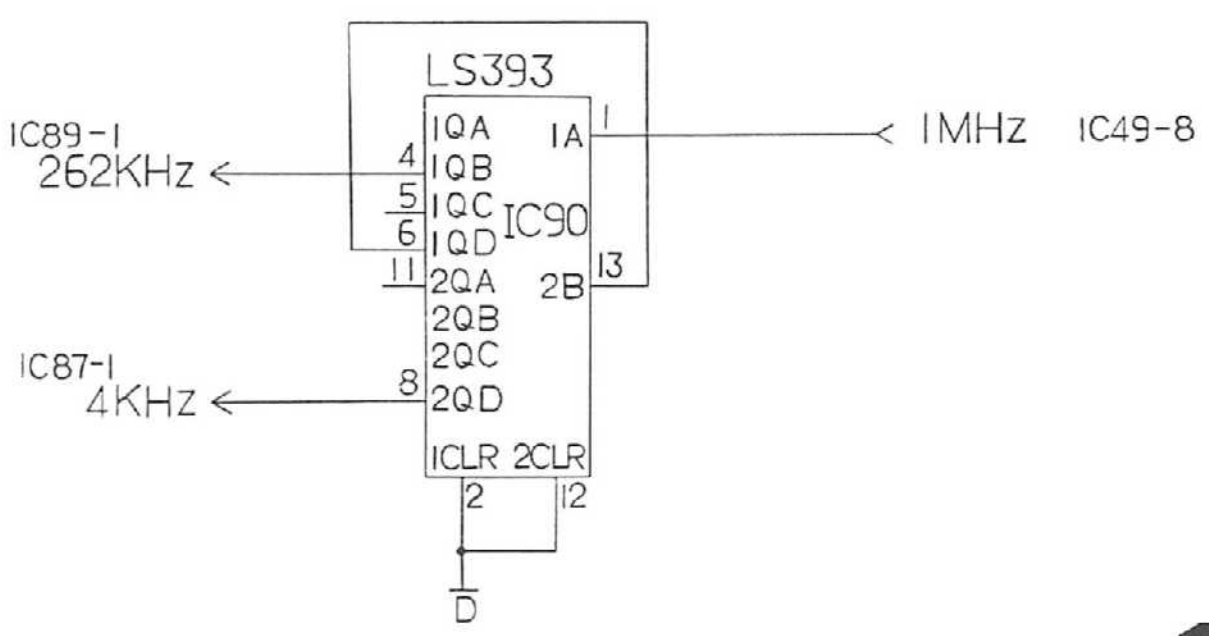
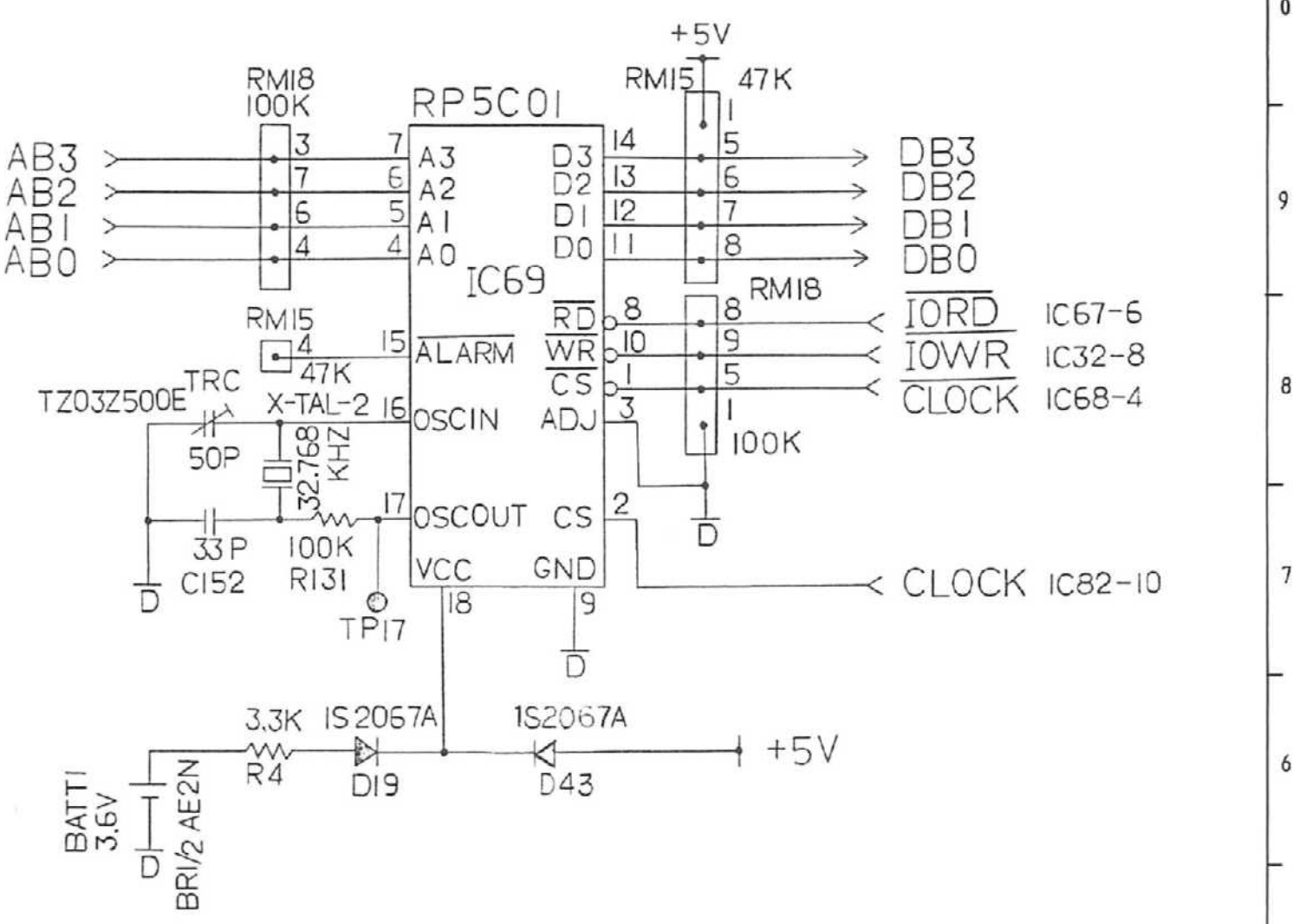
PCB-4966.9

Heat signal circuit

EH42E

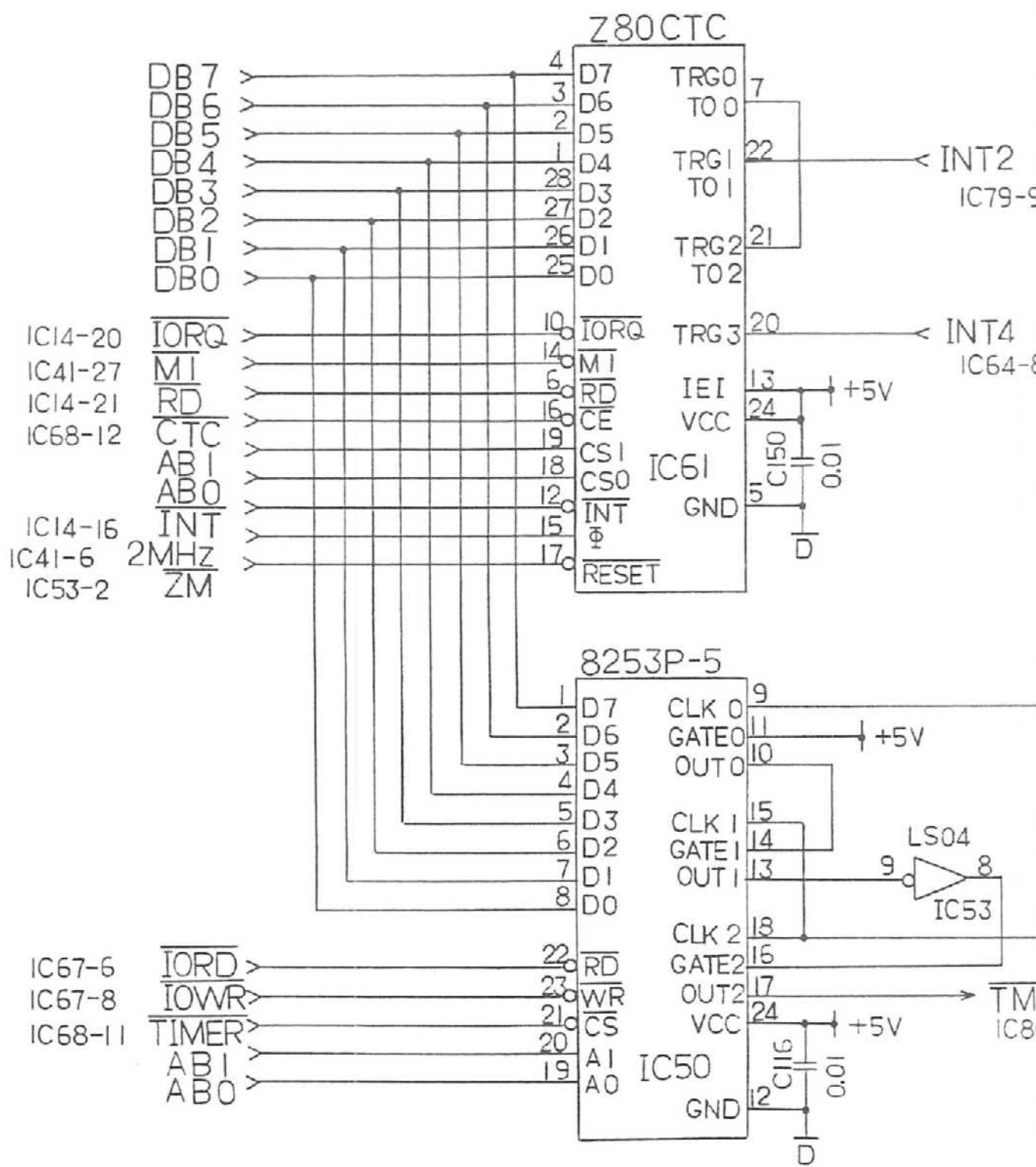
G F E D C B A

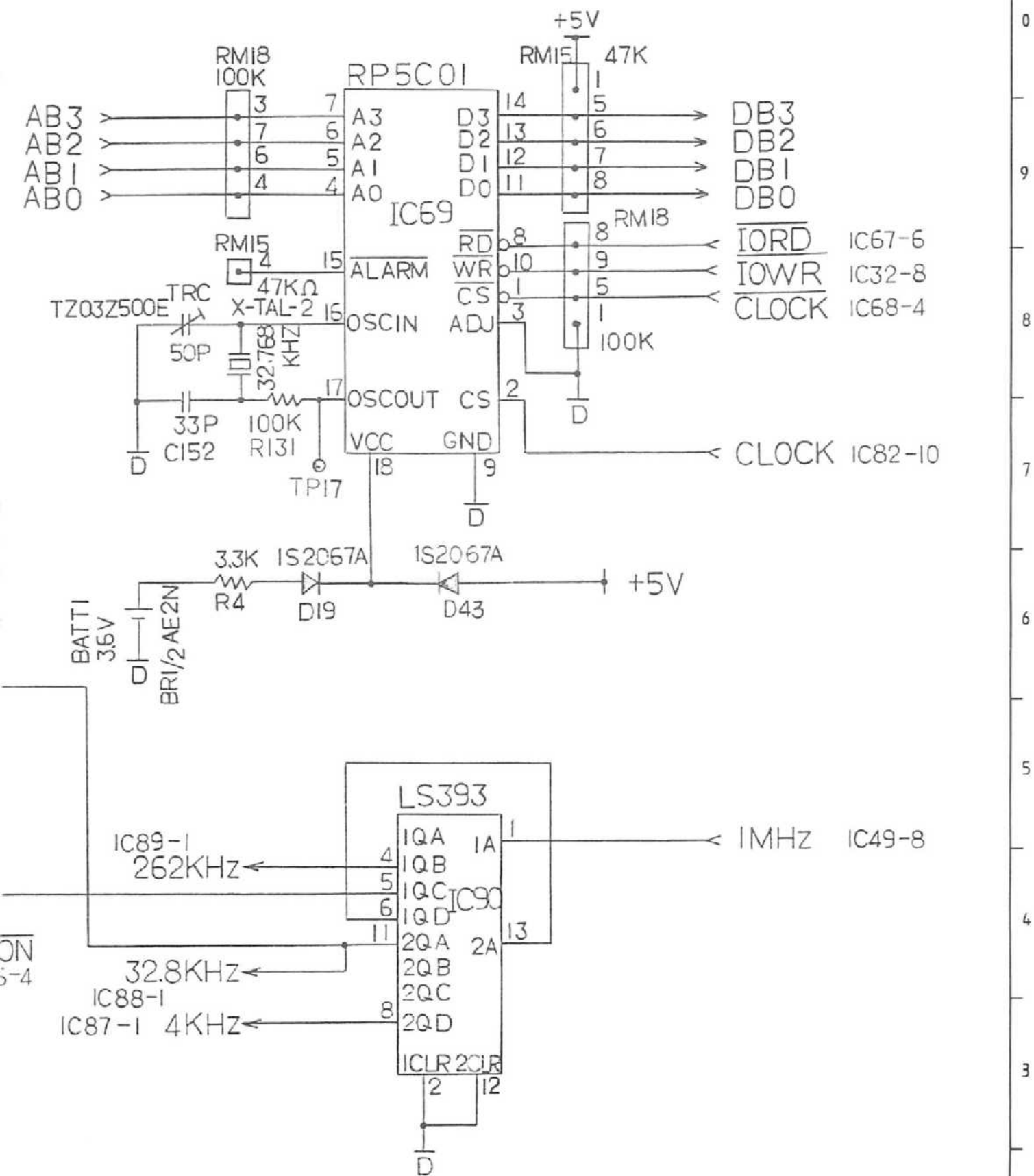




18.

CARDIOSTAT 3A PCB-4966.10
Timing circuit, real-time clock
 EH42E

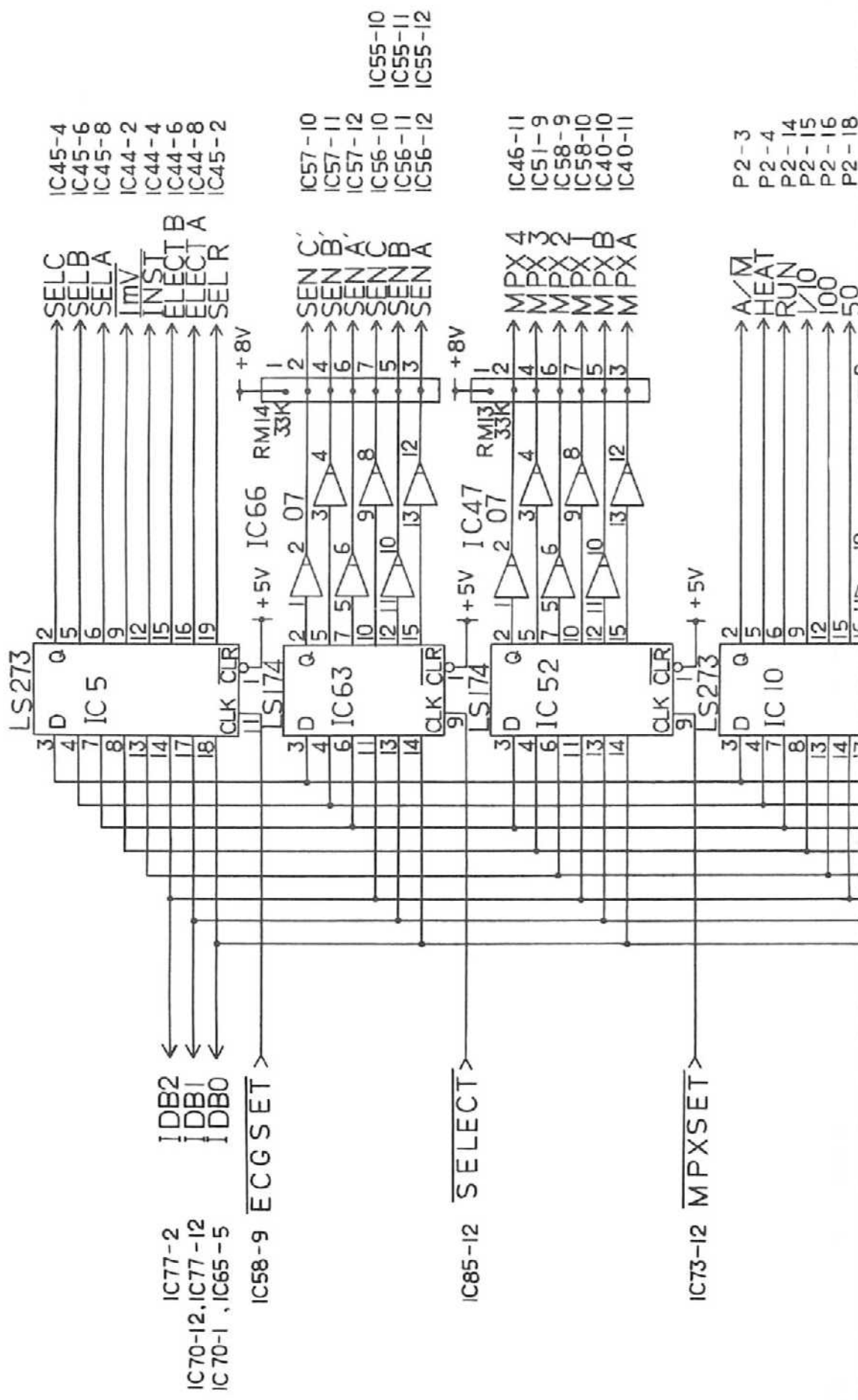




19.

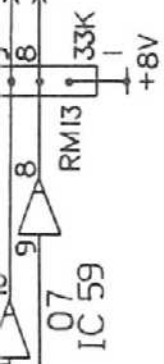
CARDIOSTAT 3C		PCB-4966.10
<i>Timing circuit, real-time clock</i>		
EH42E		

G F E D C B A



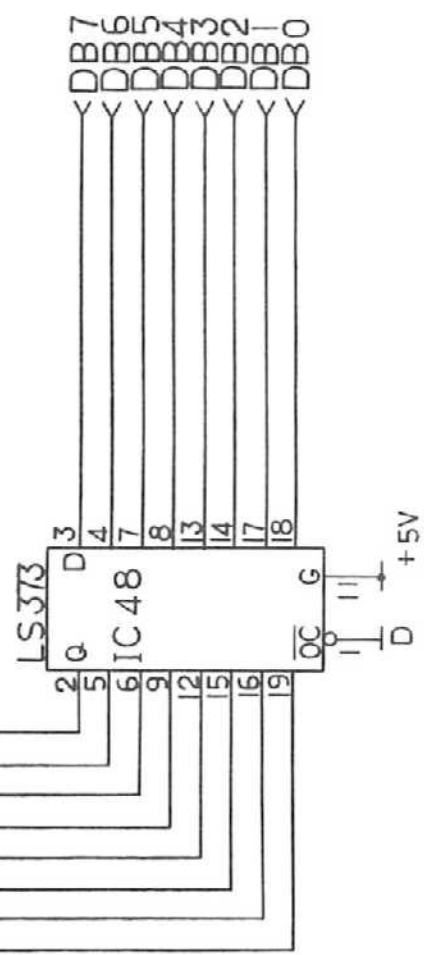
IC57-18 etc
IC57-19 etc

NOTCH
TREMOR



IC73-11
IC53-2

MOTOR
Z M



20.

CARDIOSTAT 3A

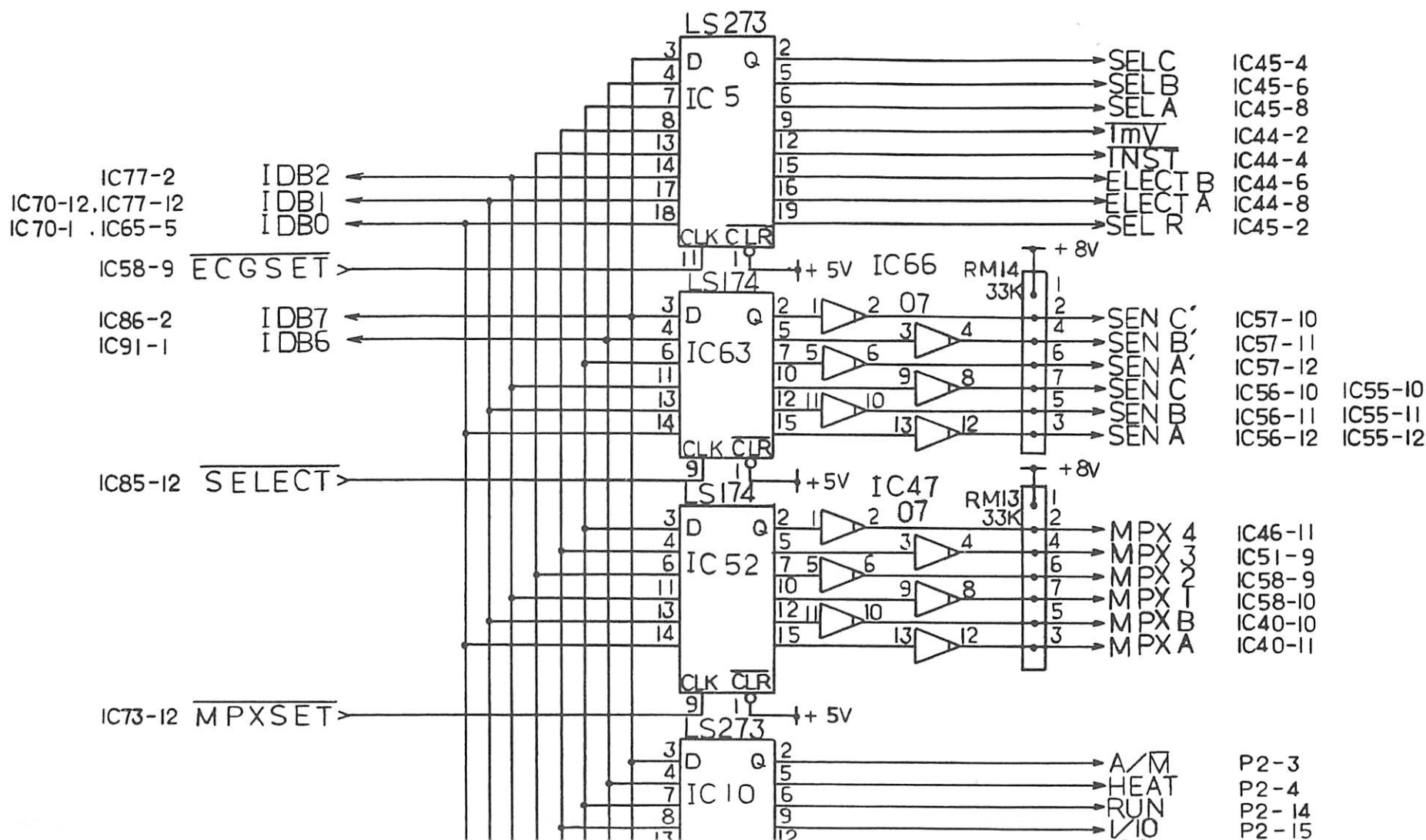
PCB-4966.11

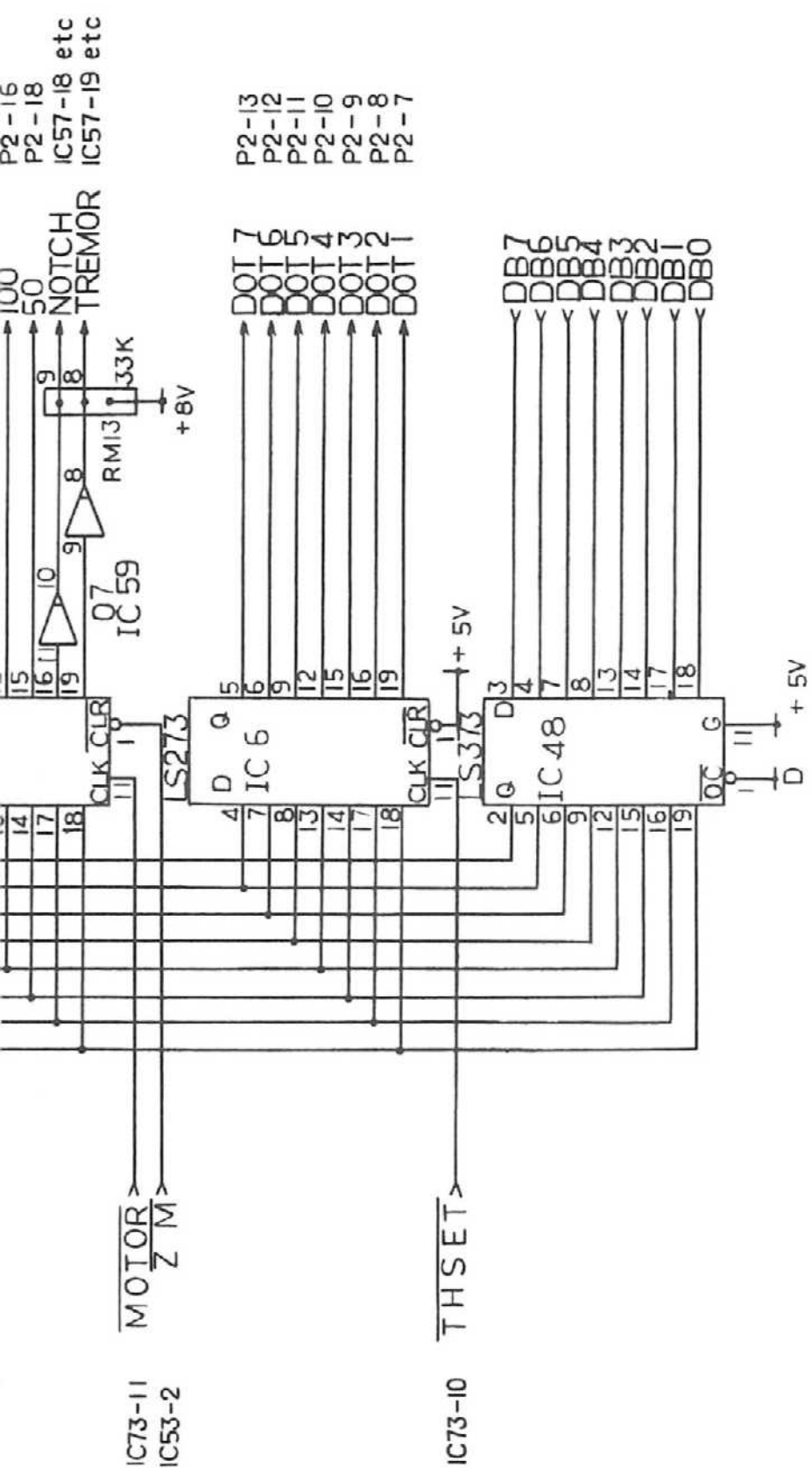
Status set circuit

EH42E

G F E D C B A

0
9
8
7
6
5
4
3
2
1





21.

CARDIOSTAT 3C

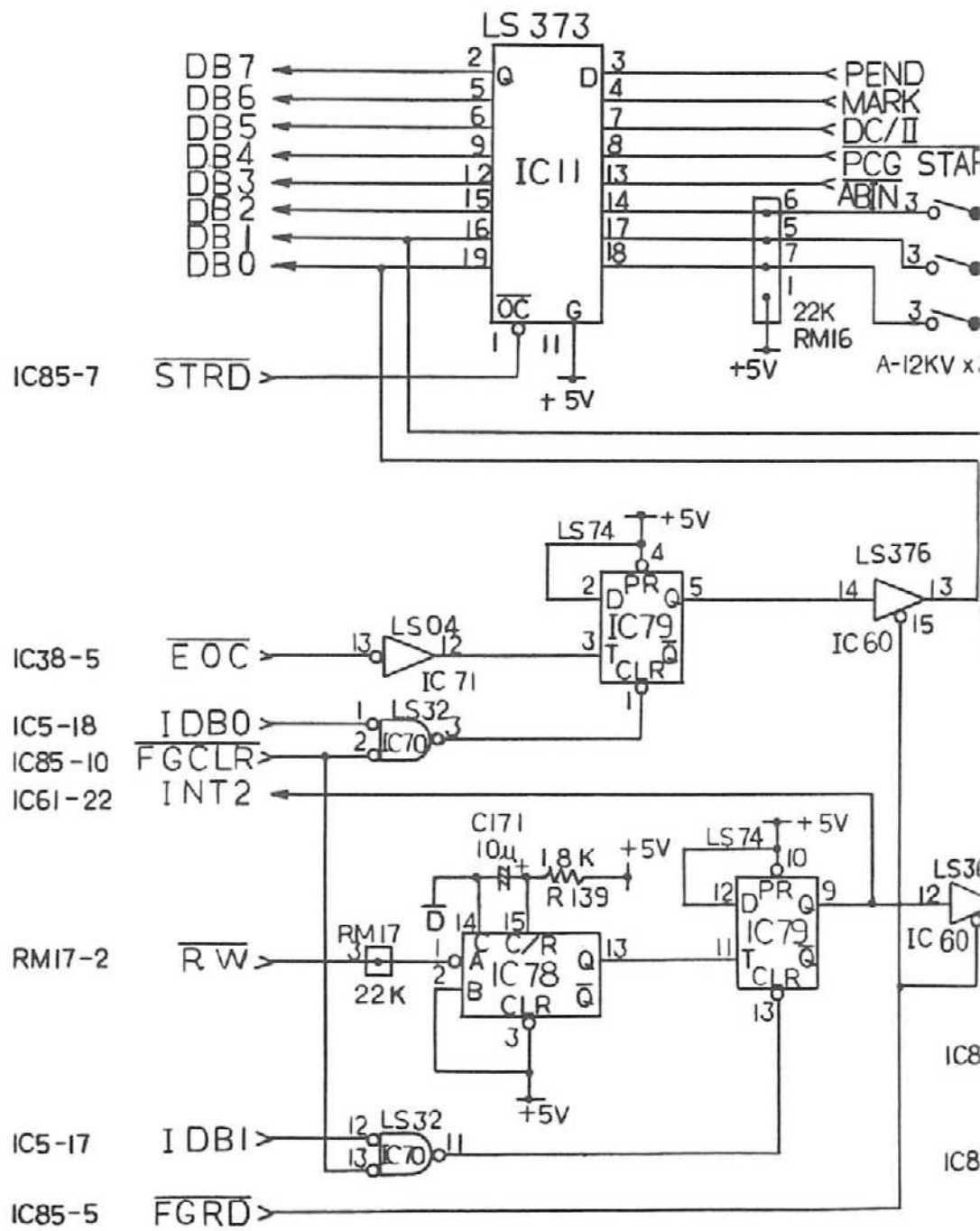
PCB-4966.11

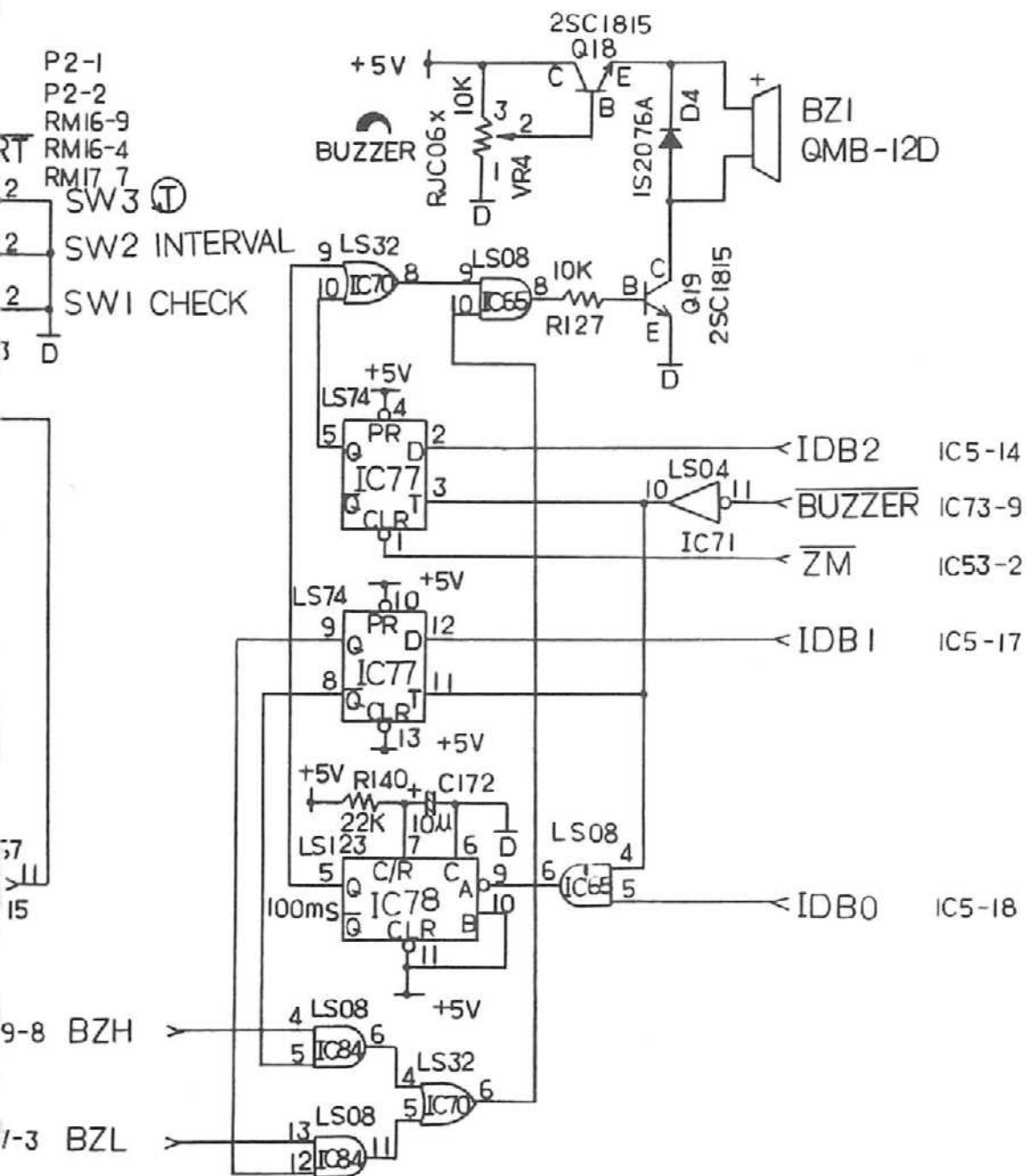
Status set circuit

EH42E

G F E D C B A

0
9
8
7
6
5
4
3
2
1





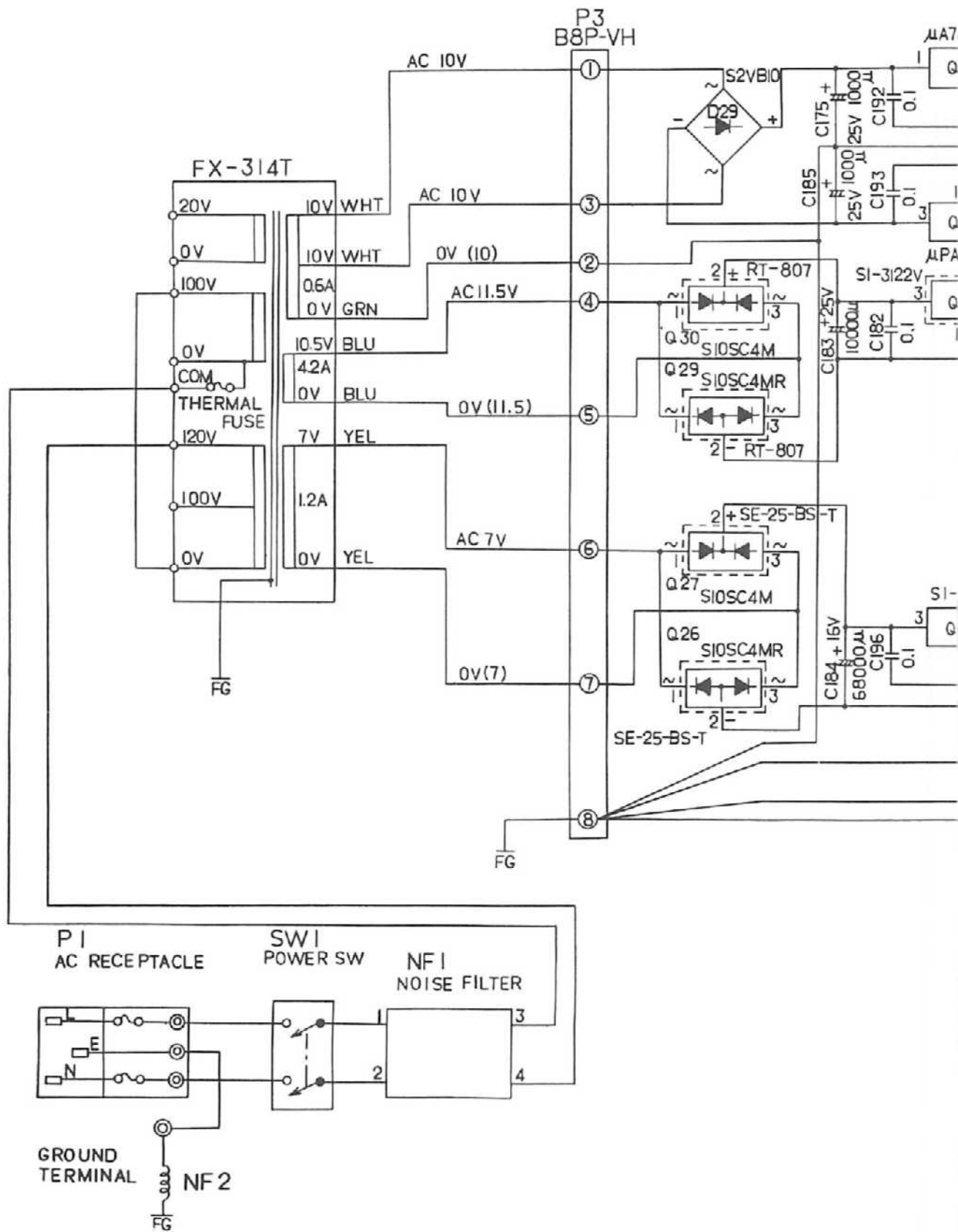
22.

CARDIOSTAT 3A/C

PCB-4966.12

Status read circuit, buzzer

EH42E



N

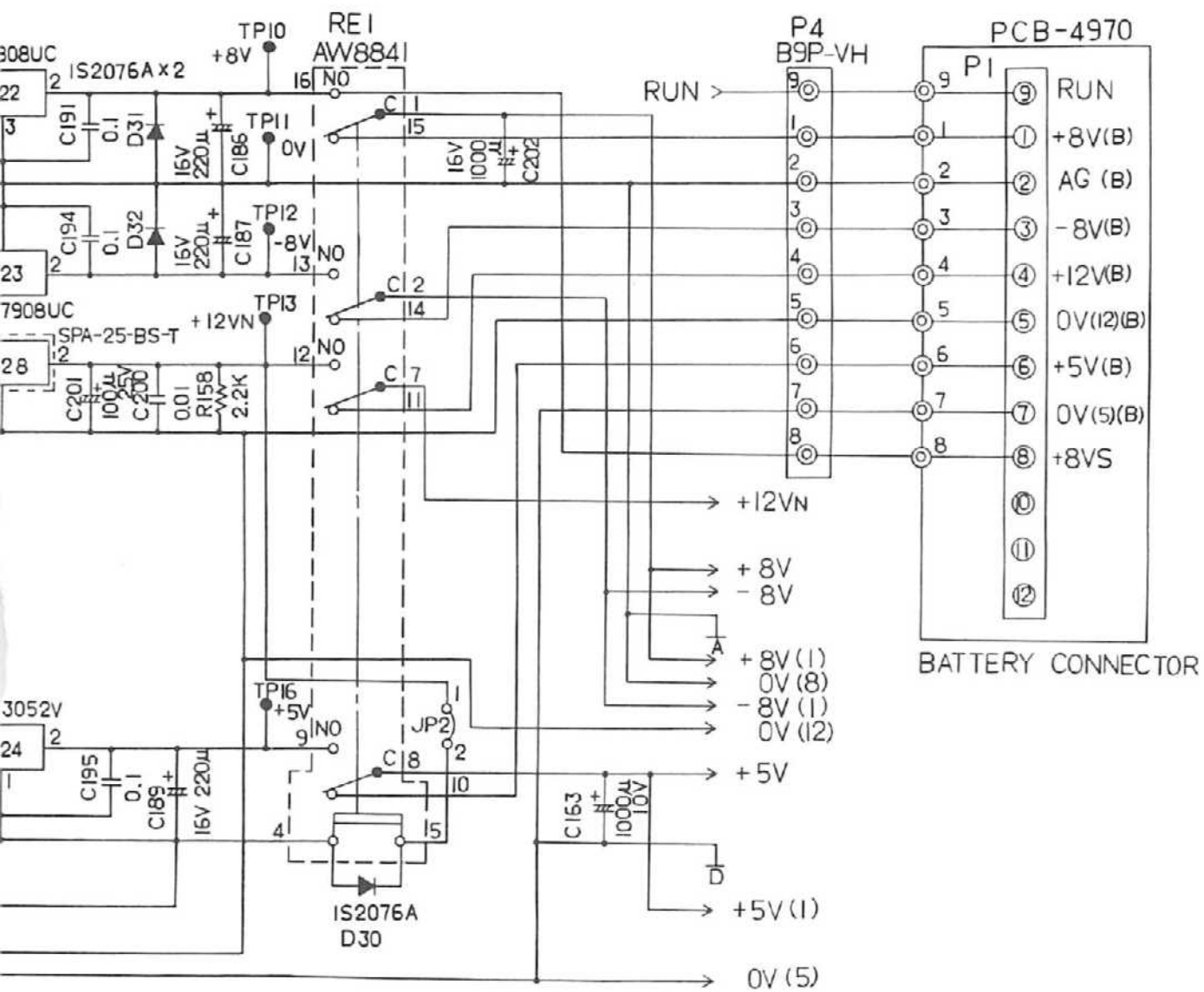
M

L

K

I

H



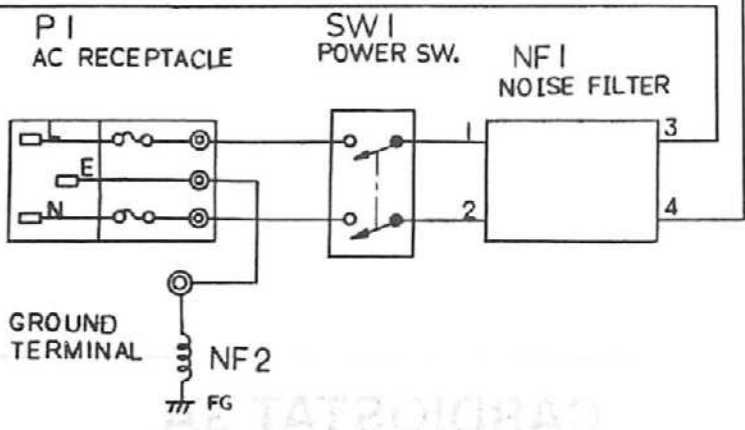
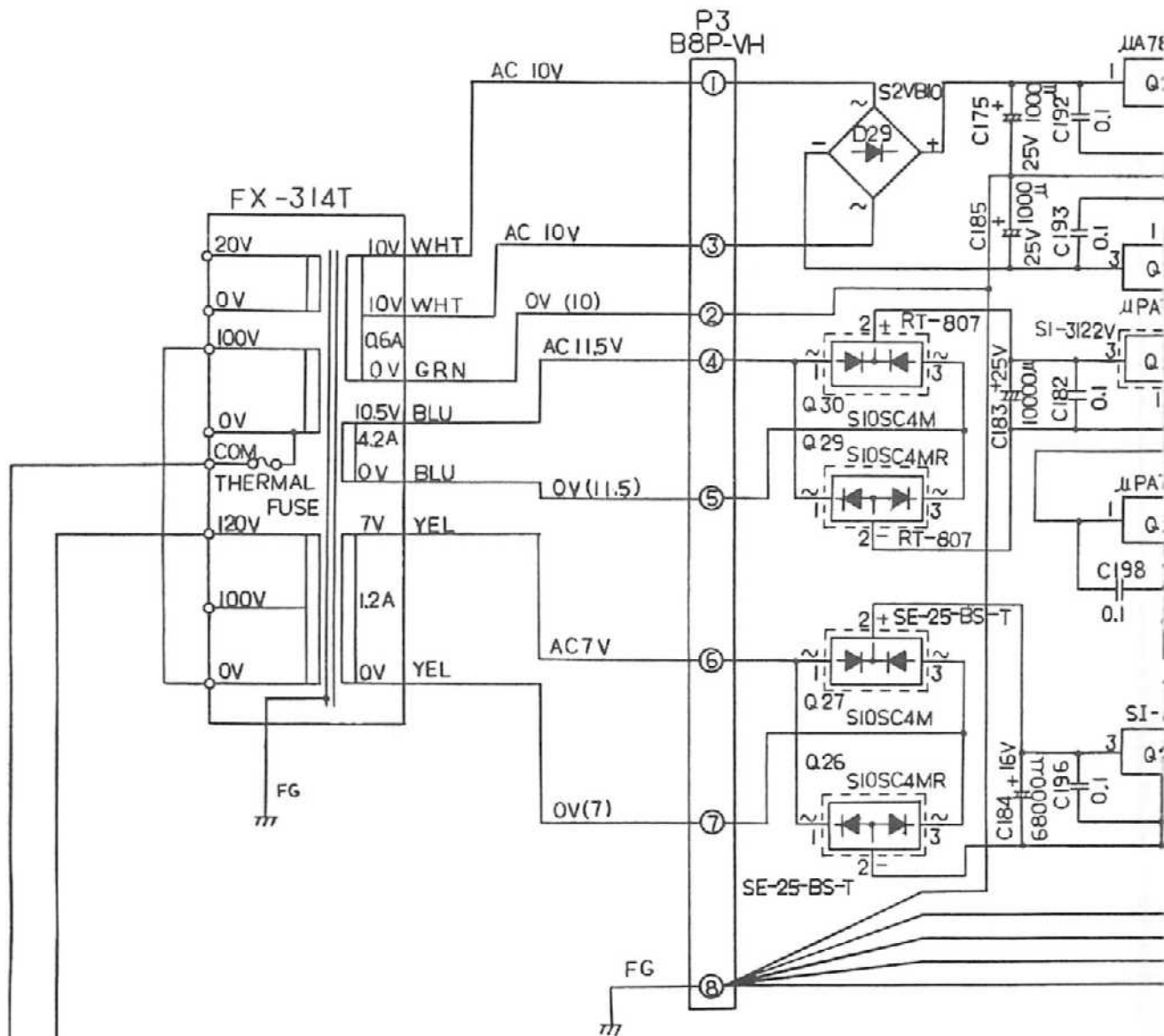
23.

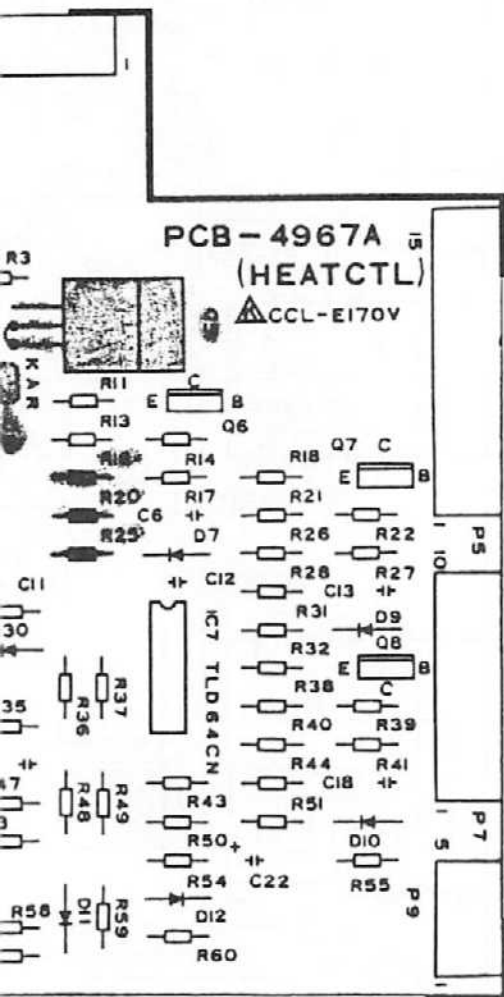
CARDIOSTAT 3A

PCB-4966.13

Power supply circuit

EH42E





CARDIOSTAT 3A

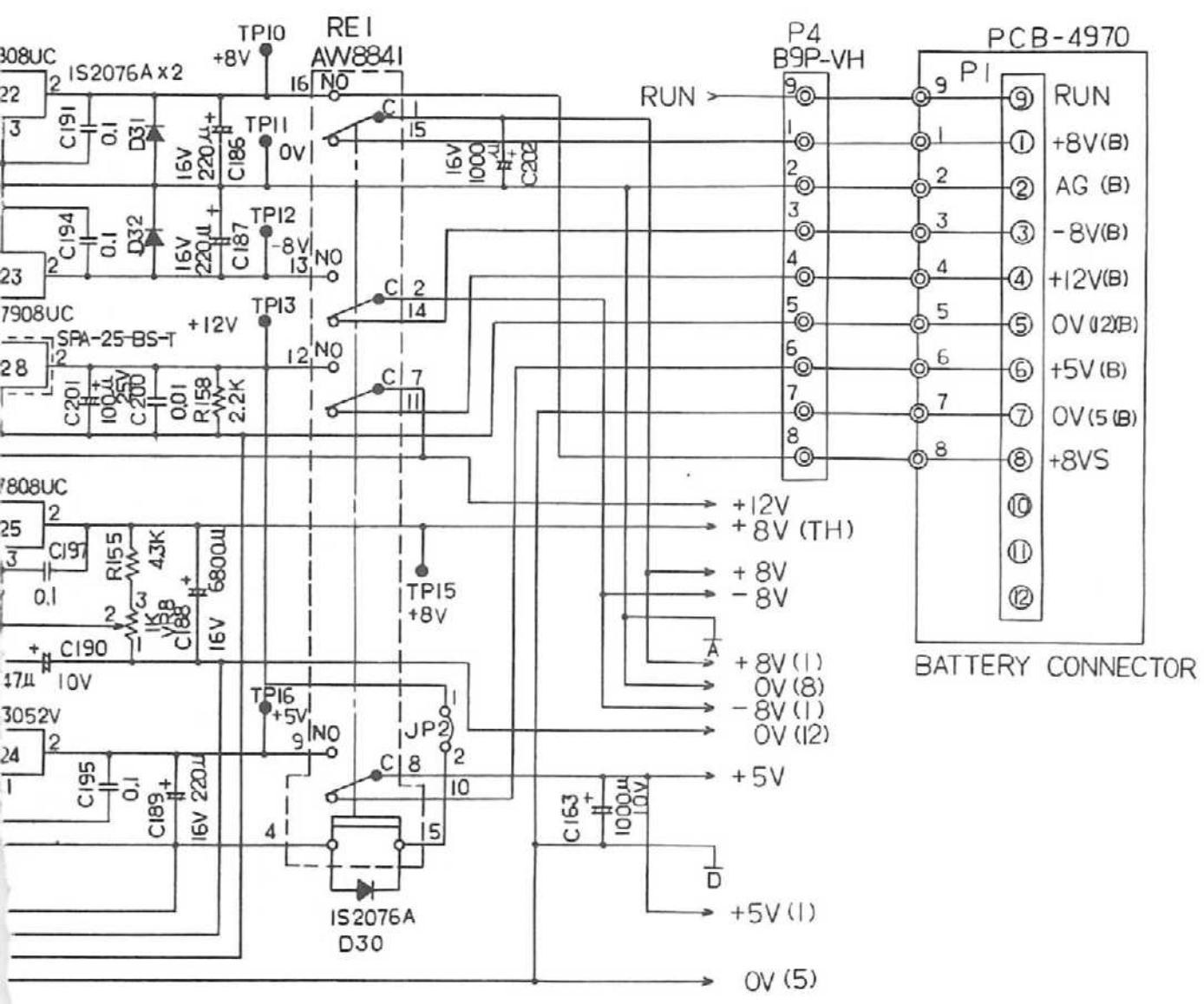
PCB-4967

Component location drawing

EH42E

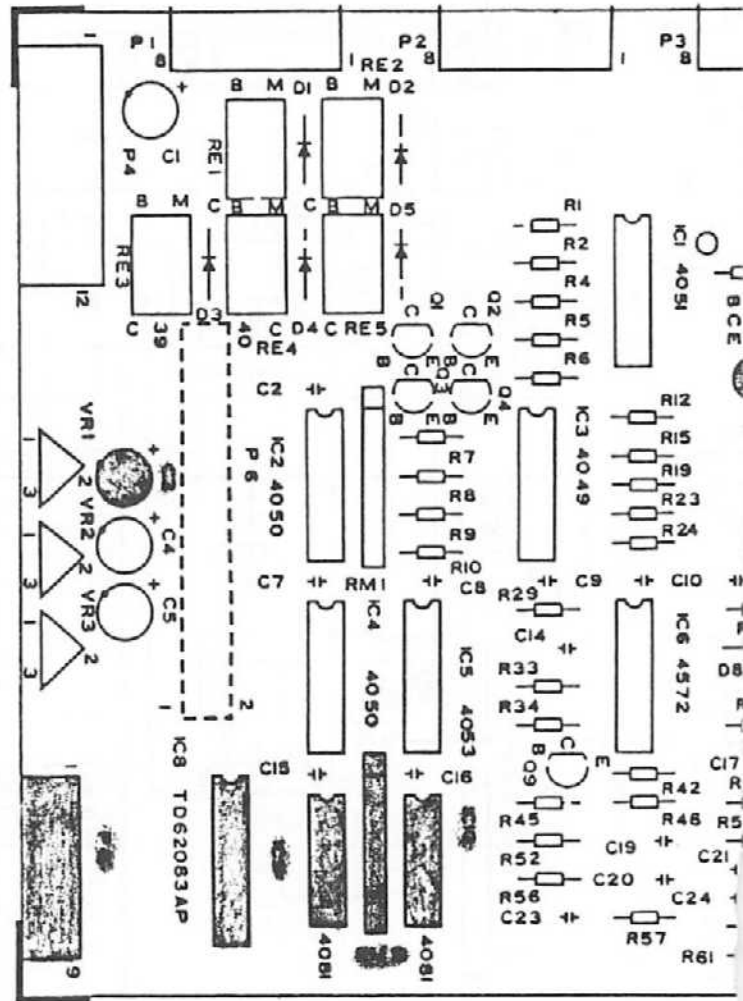
G F E D C B A

0
9
8
7
6
5
4
3
2
1



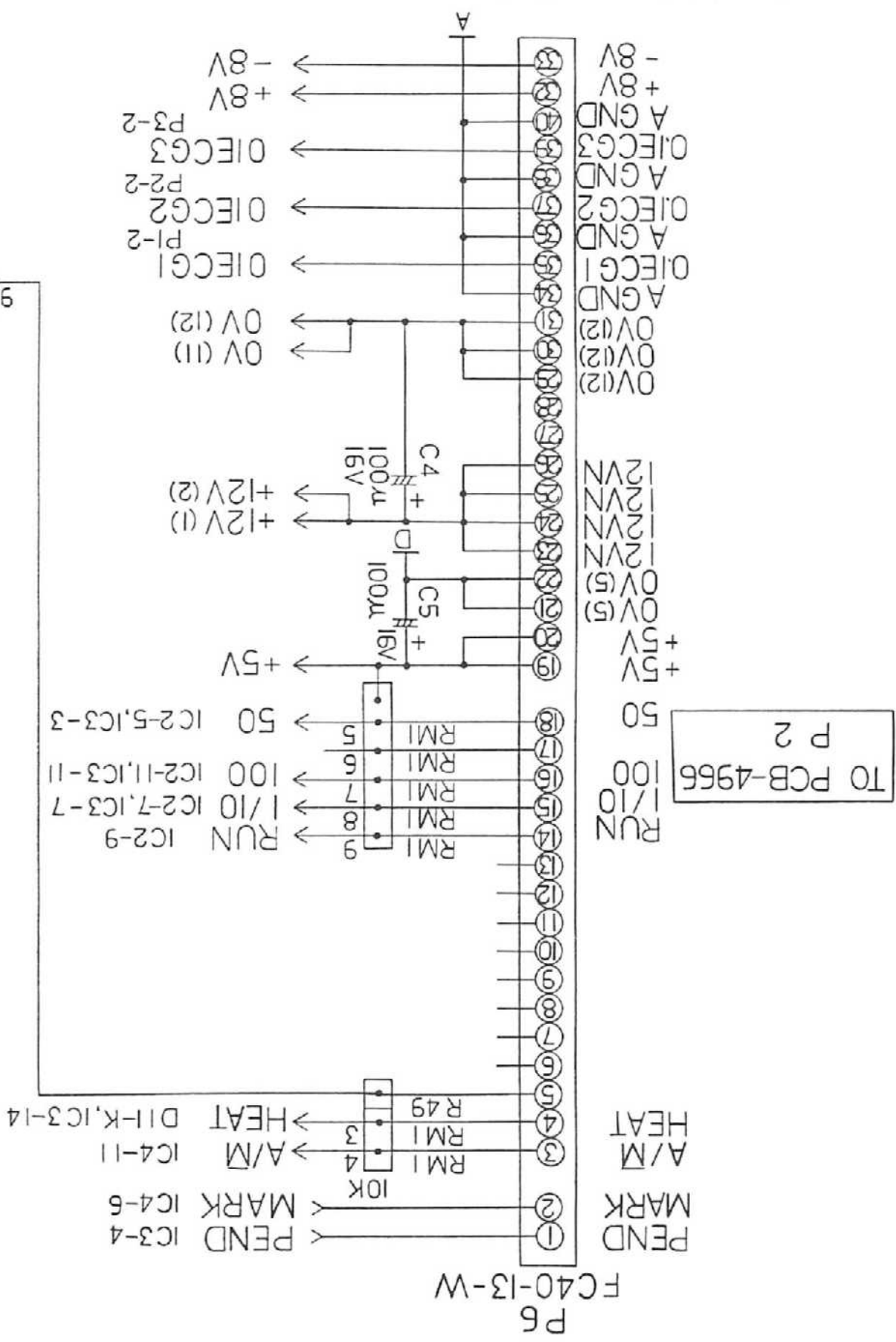
24.

CARDIOSTAT 3C PCB-4966.13
 Power supply circuit
 EH42E



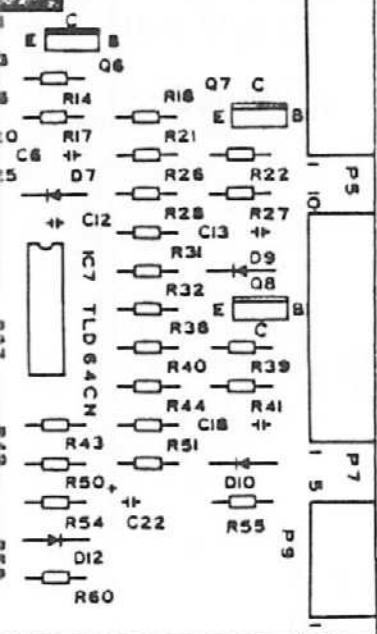
PCB-4967, CARDIOSTAT 3A

NOTE) COMPONENTS IN SHADED AREA ARE NOT REQUIRED.



PCB-4967A \bar{u}
(HEATCTL)

Δ CCL-E170V



CARDIOSTAT 3C

PCB-4967

Component location drawing

EH42E

G F E D C B A

0
9
8
7
6
5
4
3
2
1

25.

CARDIOSTAT 3A

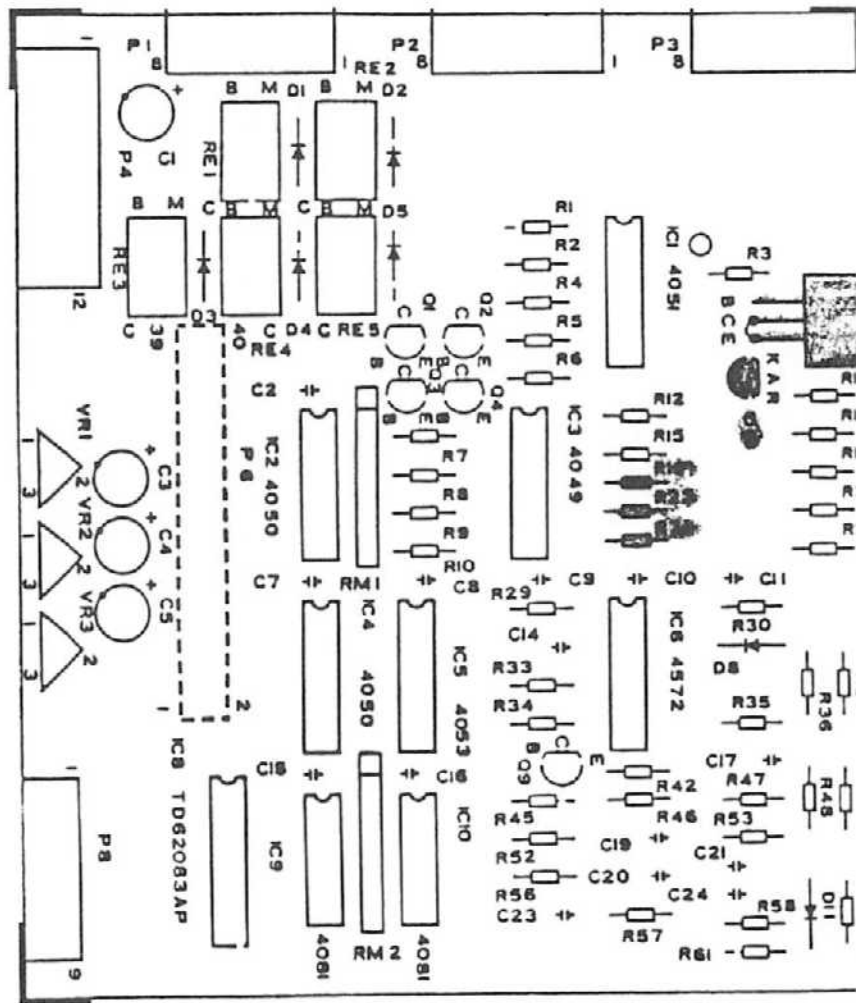
PCB-4967.1

Thermal head driver

EH42E

F E D C B A

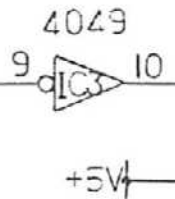
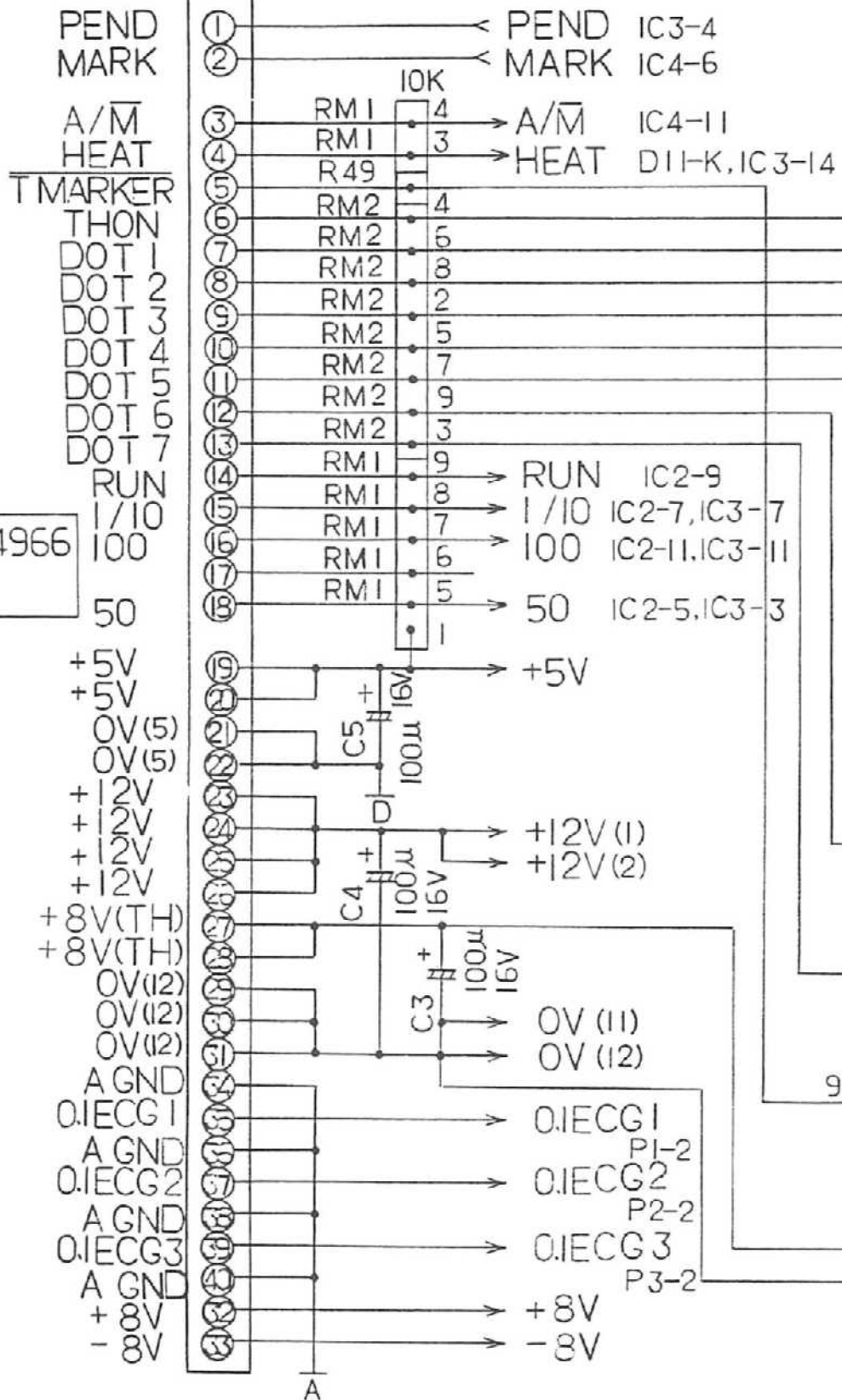
49
Y 10

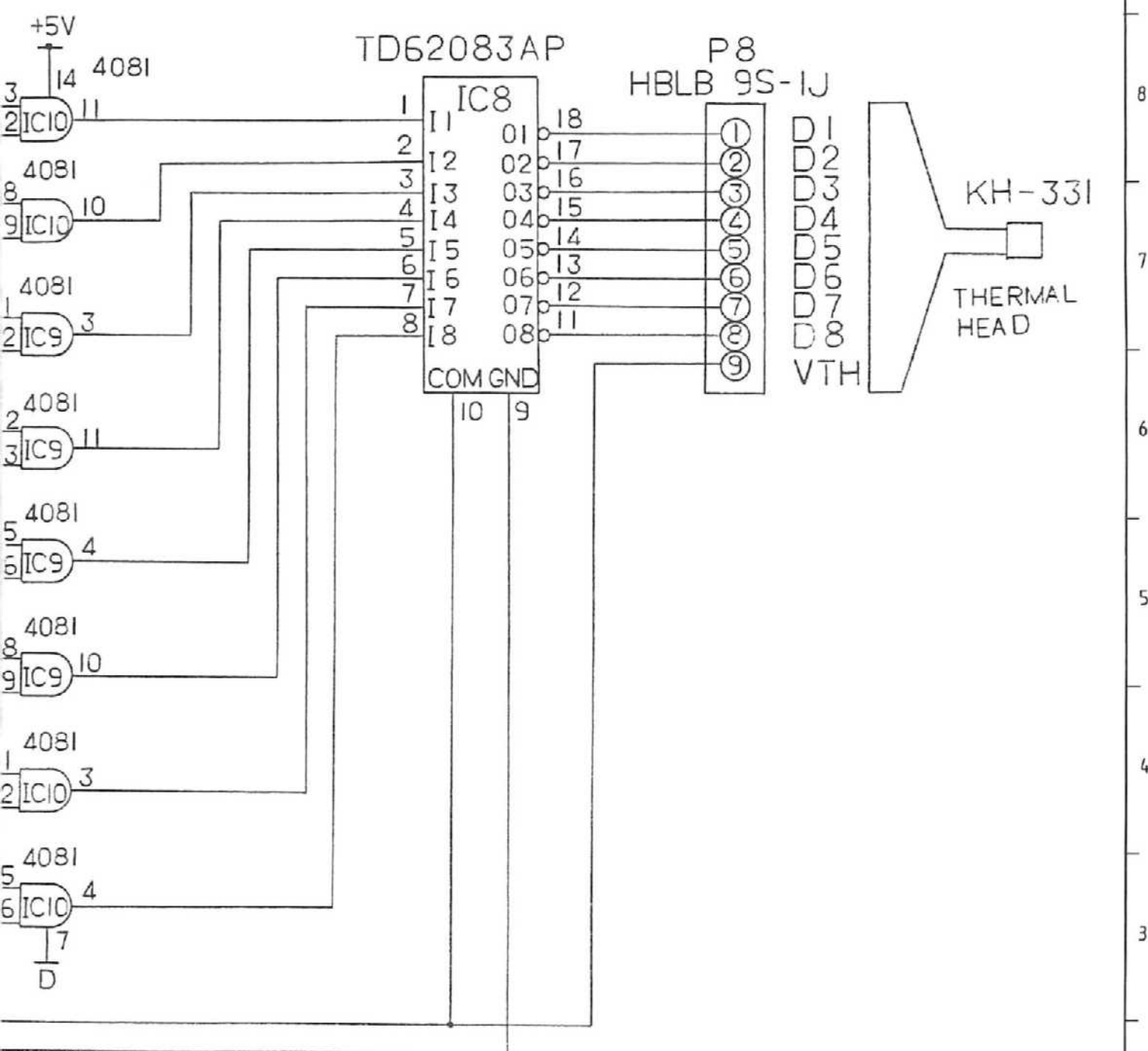


PCB-4967, CARDIOSTAT 3C

NOTE) COMPONENTS IN SHADED AREAS ARE NOT REQUIRED.

P6
FC40-13-W



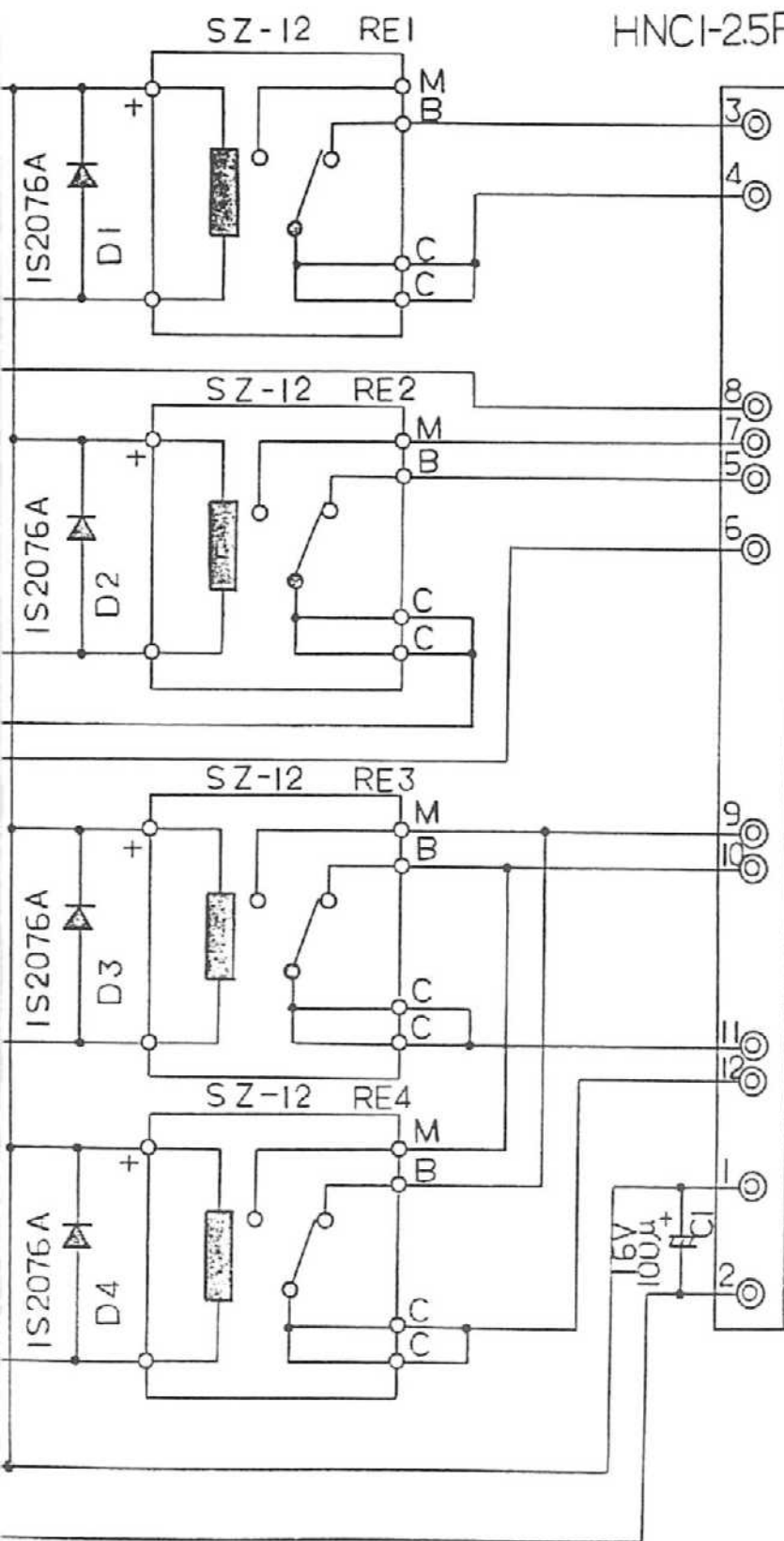


26.

CARDIOSTAT 3C		PCB-4967.1
<i>Thermal head driver</i>		
EH42E		

G F E D C B A

P4
HNCI-25P-12DSL



W2 (PUR)

W1 (GRY)

100 (ORN)

50 (YEL)

25 (BRN)

COM (GRN)

MOTOR UNIT
MM 21 EG 3FR 1/15

PCB-3395C

M1 (YEL)

M2 (YEL / GRN)

S2 (WHT)

S1 (BRV)

+12 (RED)

G (BLK)

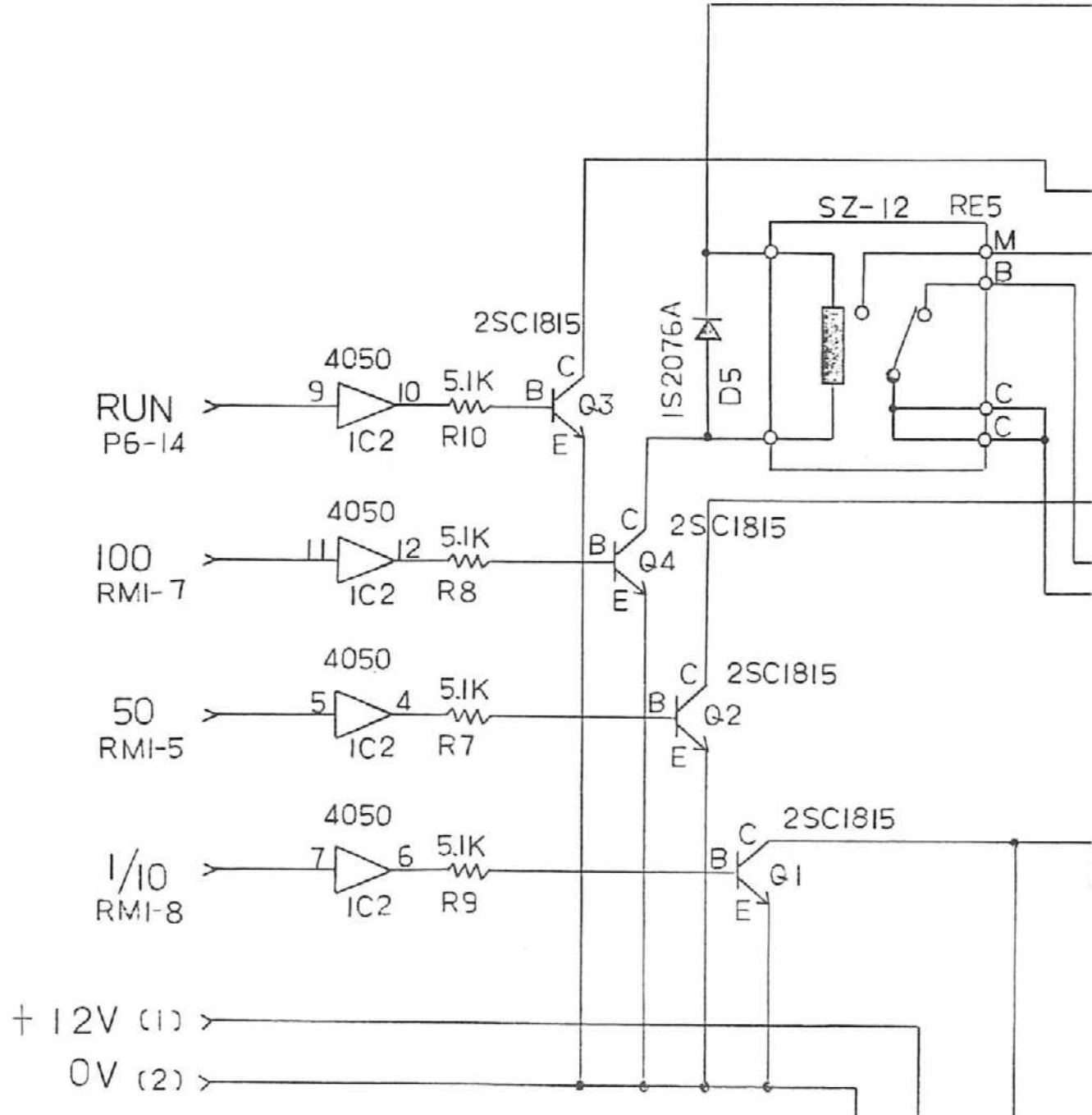
27.

CARDIOSTAT 3A/C

PCB-4967.2

Motor control circuit

EH42E

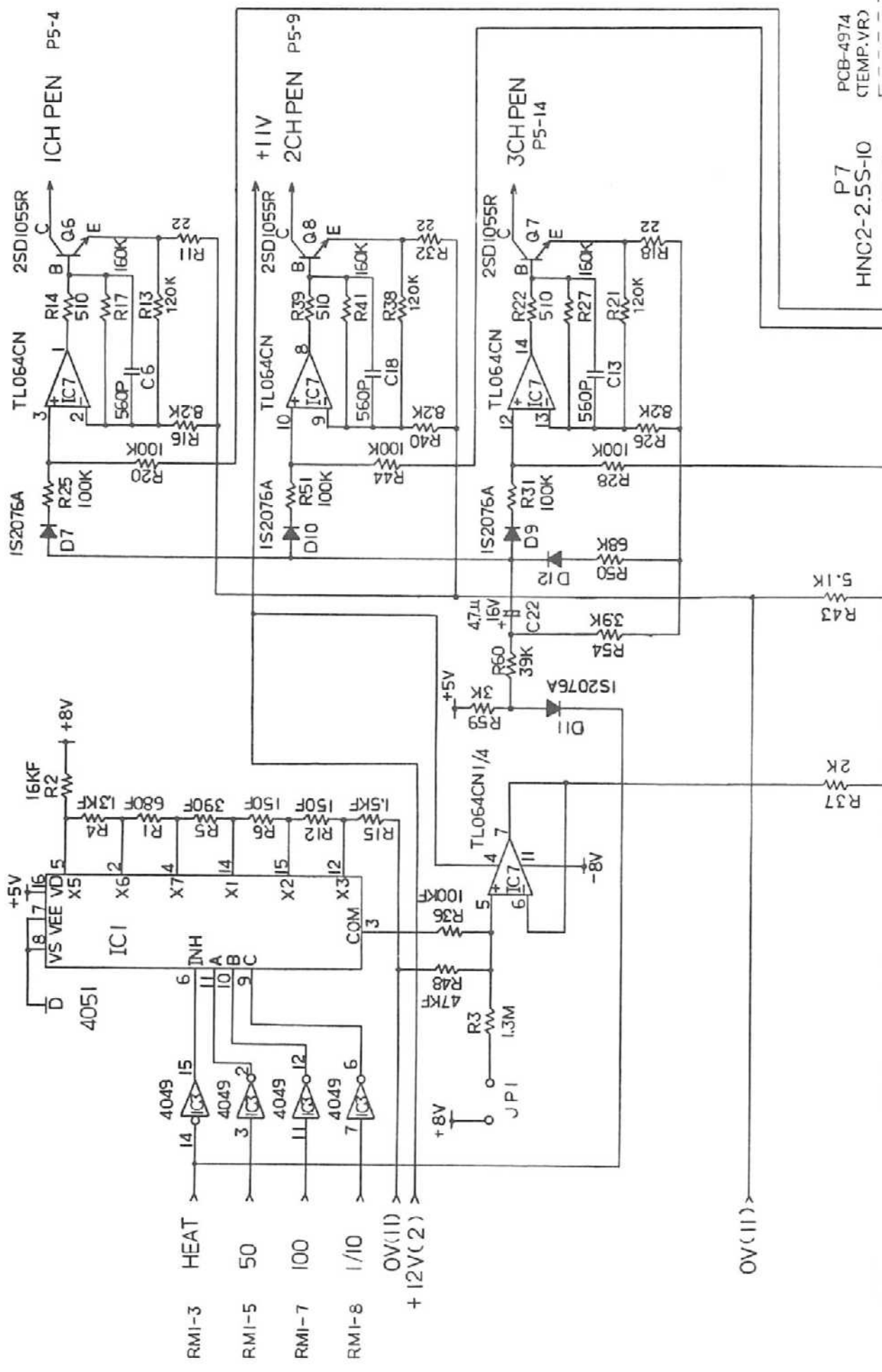


SPEED CHANGE CODE

SPEED [mm/sec]	100	50	1/10
2.5	L	L	H
5	L	H	H
10	H	-	H
25	L	L	L
50	L	H	L
H: +5V L: 0V			

RUN

	RUN
START	H
STOP	L
H: +5V L: 0V	



P7 PCB-4974
 HNC2-2.5S-10 (TEMP.VR)

R43 5.1K
 R37 2K

R25 100K
 R26 100K
 R27 160K
 R28 82K
 R29 68K
 R30 82K
 R31 100K
 R32 120K
 R33 120K
 R34 39K
 R35 47K
 R36 100K
 R38 120K
 R39 510
 R40 100K
 R41 160K
 R42 120K
 R43 5.1K
 R44 100K
 R45 150F
 R46 150F
 R47 150F
 R48 47K
 R49 1.3M
 R50 82K
 R51 100K
 R52 100K
 R53 16K
 R54 39K
 R55 16K
 R56 16K
 R57 16K
 R58 16K
 R59 16K
 R60 39K
 R61 16K
 R62 16K
 R63 16K
 R64 16K
 R65 16K
 R66 16K
 R67 16K
 R68 16K
 R69 16K
 R70 16K
 R71 16K
 R72 16K
 R73 16K
 R74 16K
 R75 16K
 R76 16K
 R77 16K
 R78 16K
 R79 16K
 R80 16K
 R81 16K
 R82 16K
 R83 16K
 R84 16K
 R85 16K
 R86 16K
 R87 16K
 R88 16K
 R89 16K
 R90 16K
 R91 16K
 R92 16K
 R93 16K
 R94 16K
 R95 16K
 R96 16K
 R97 16K
 R98 16K
 R99 16K
 R100 16K

C1 560P
 C2 560P
 C3 560P
 C4 560P
 C5 560P
 C6 560P
 C7 560P
 C8 560P
 C9 560P
 C10 560P
 C11 560P
 C12 560P
 C13 560P
 C14 560P
 C15 560P
 C16 560P
 C17 560P
 C18 560P
 C19 560P
 C20 560P
 C21 560P
 C22 47uF

VR4

N M L K I H

G
F
E
D
C
B
A

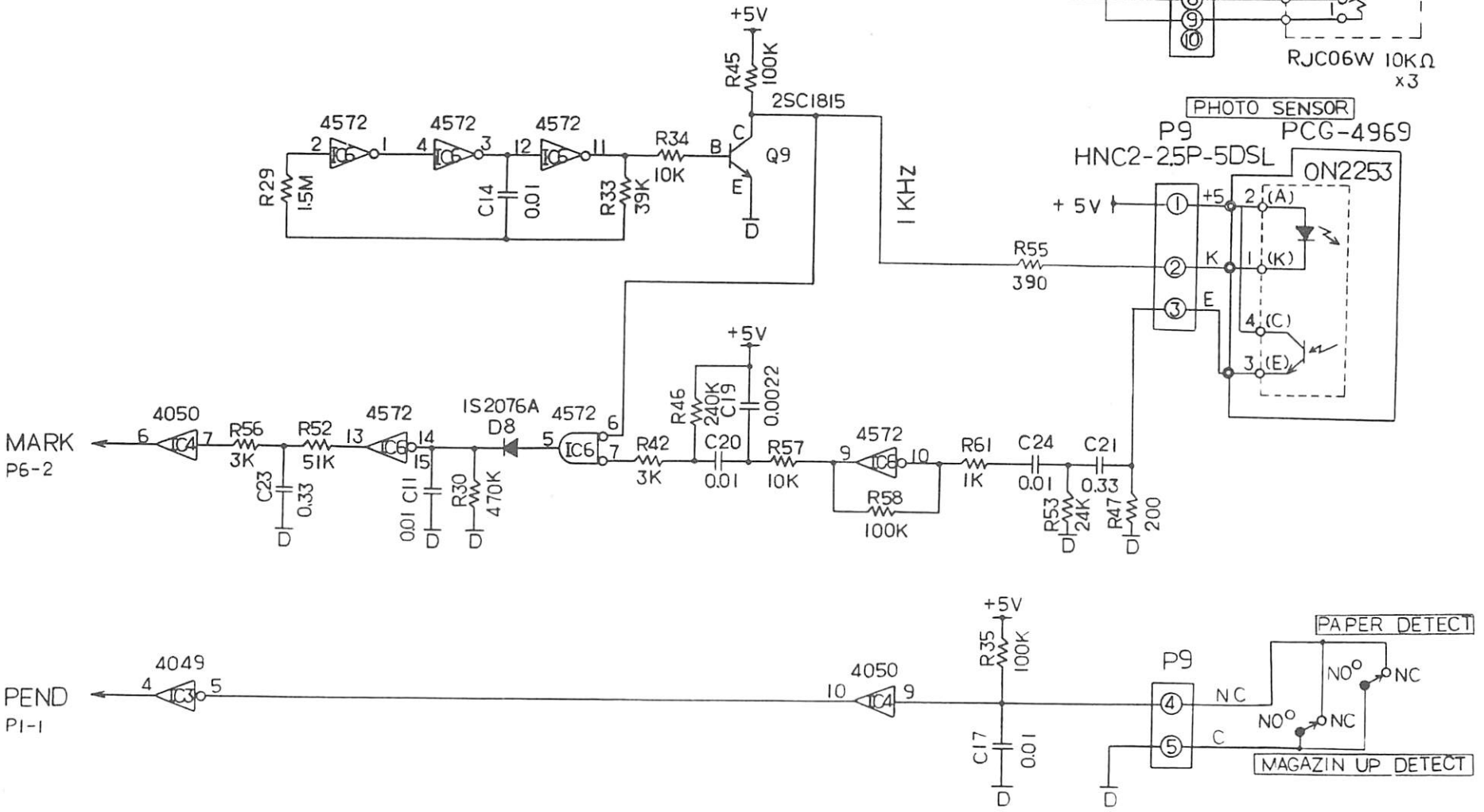
EH42E

CARDIOSTAT 3A/C

Stylus heat driver, cue mark sensor, paper-end sensor

PCB-4967.3

28.



MARK
P6-2

PENDING
PI-1

PHOTO SENSOR
P9
HNC2-25P-5DSL
PCG-4969

ON2253

PAPER DETECT

MAGAZIN UP DETECT

RJC06W 10KΩ
x3

1 KHZ

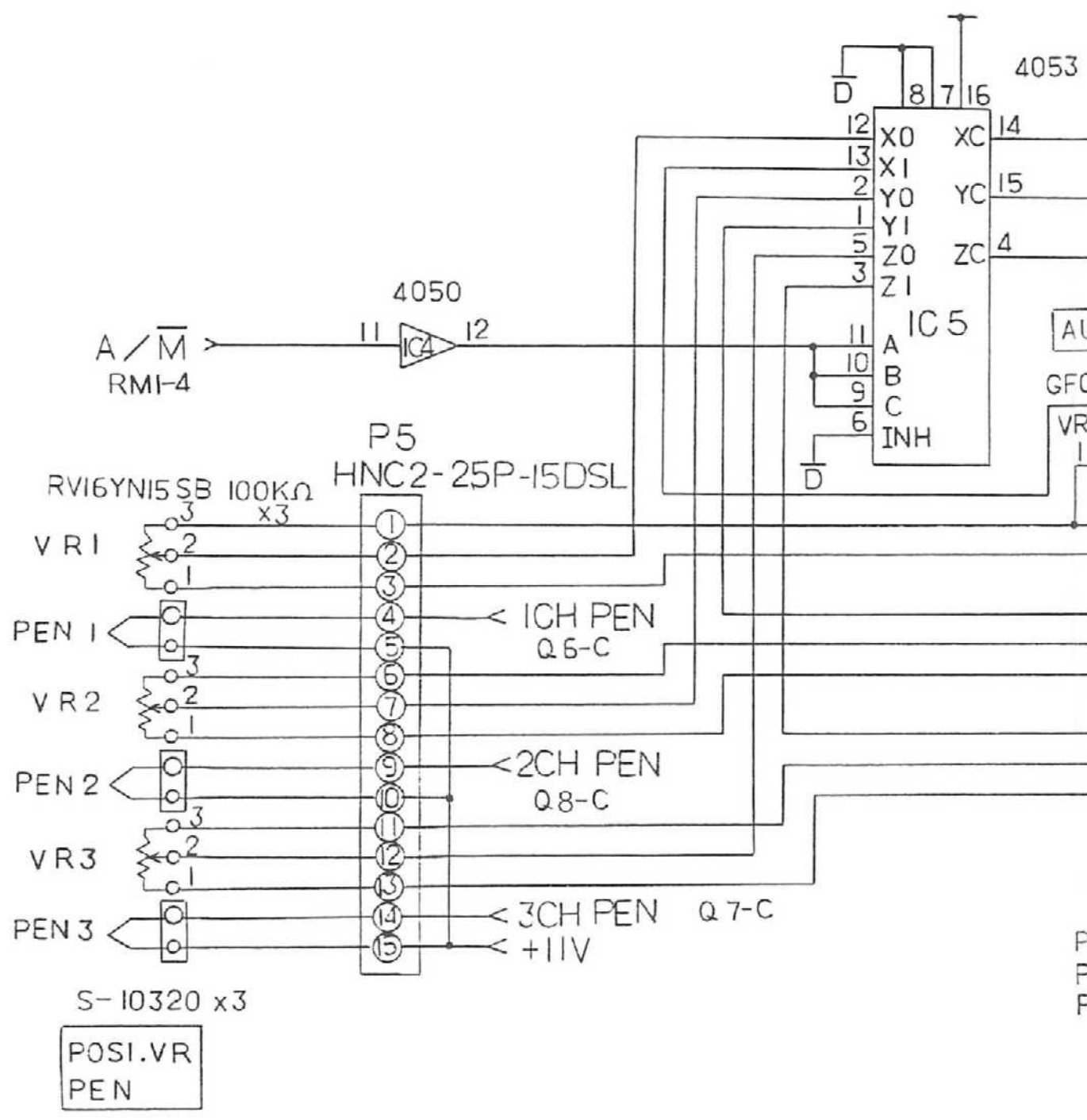
+5V

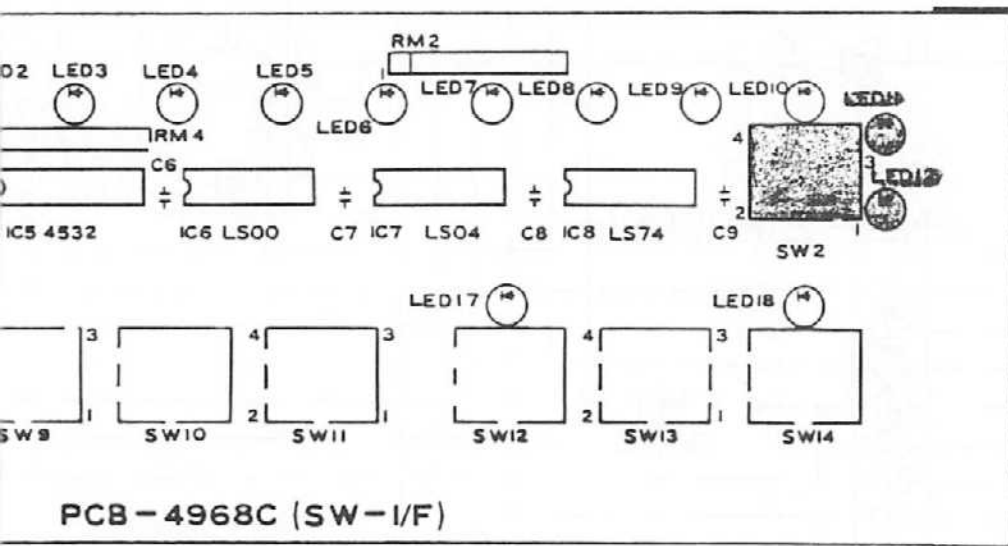
+5V

+5V

+5V

1 2 3 4 5 6 7 8 9 0





CARDIOSTAT 3A/C

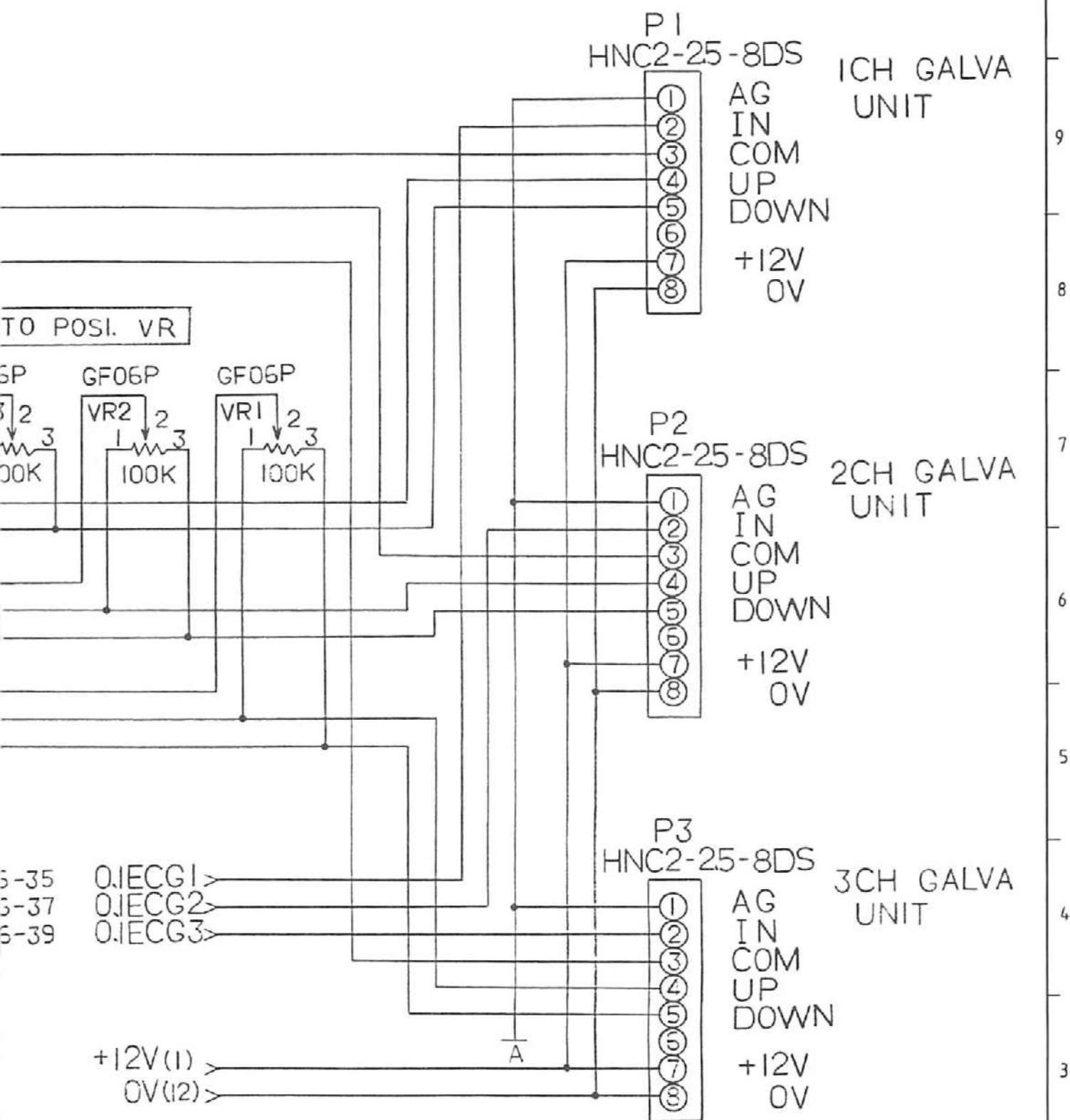
PCB-4968

Component location drawing

EH42E

G F E D C B A

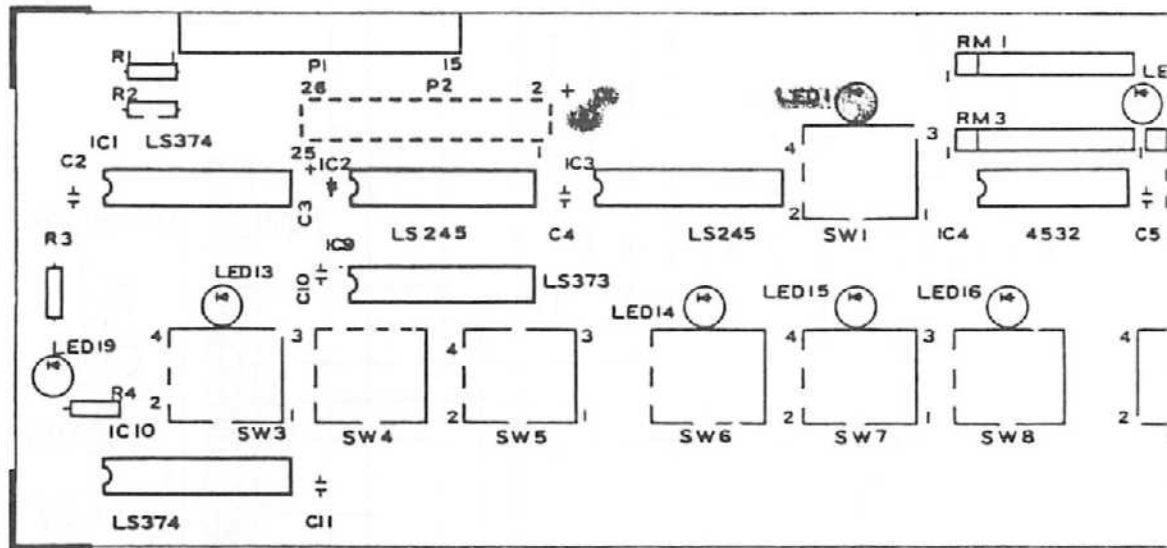
0
9
8
7
6
5
4
3
2
1



29.

CARDIOSTAT 3A/C		PCB-4967.4
<i>Galva unit connector</i>		
EH42E		

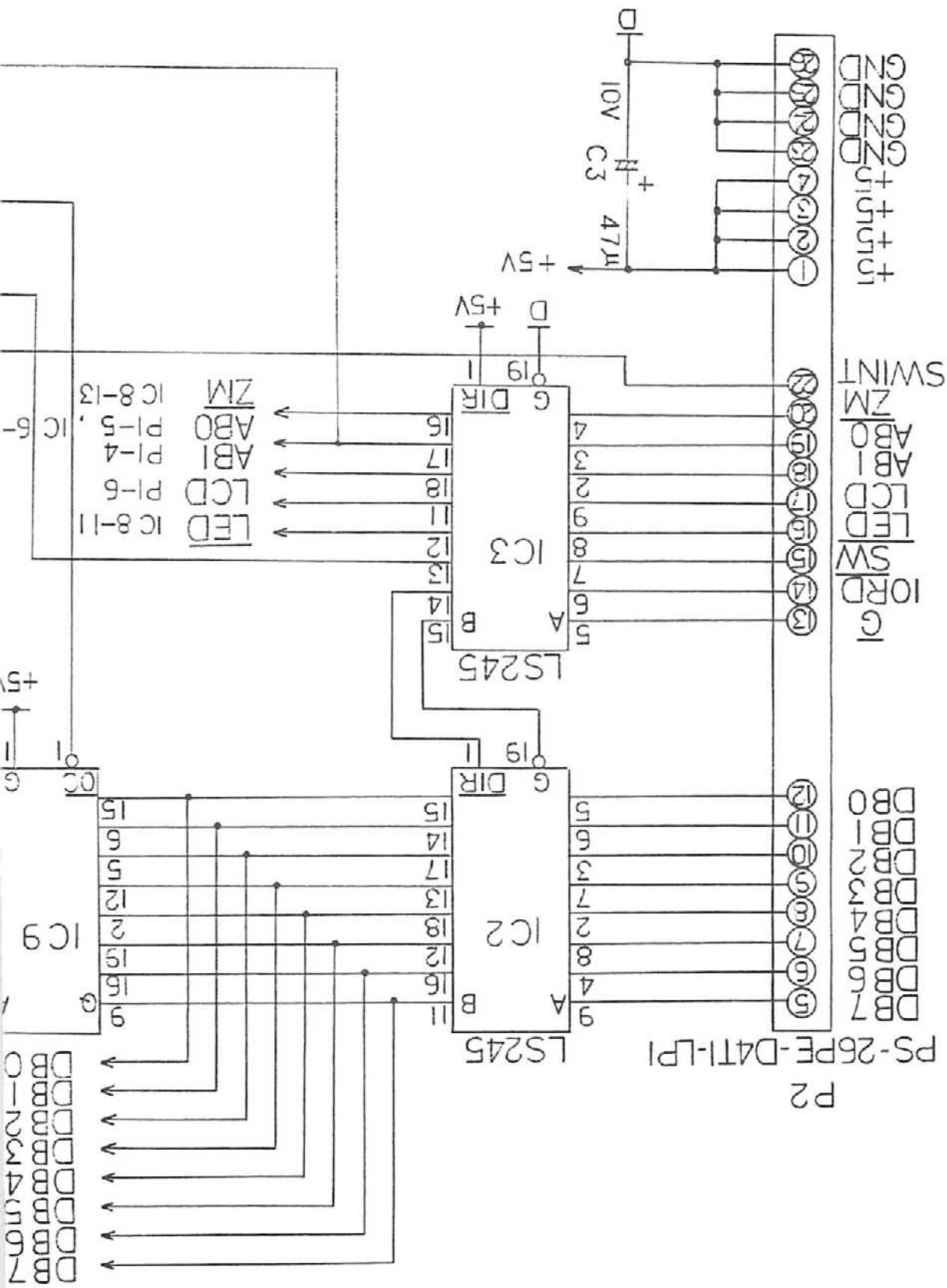
G F E D C B A

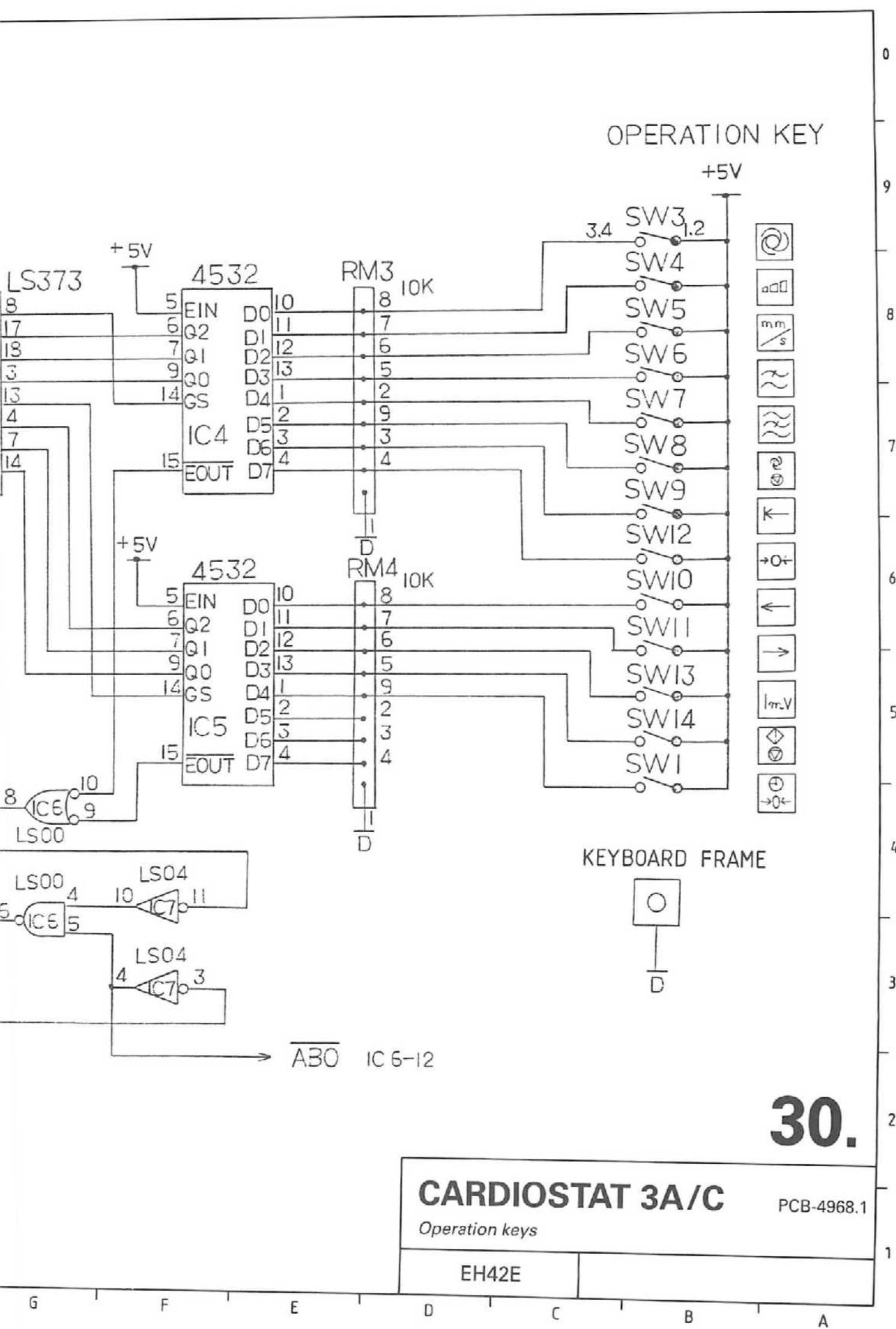


PCB-4968, CARDIOSTAT 3A/C

NOTE) COMPONENTS IN SHADED AREAS
ARE NOT REQUIRED.

PCB-4966
P1

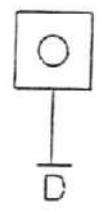




OPERATION KEY

-
-
-
-
-
-
-
-
-
-
-
-
-
-

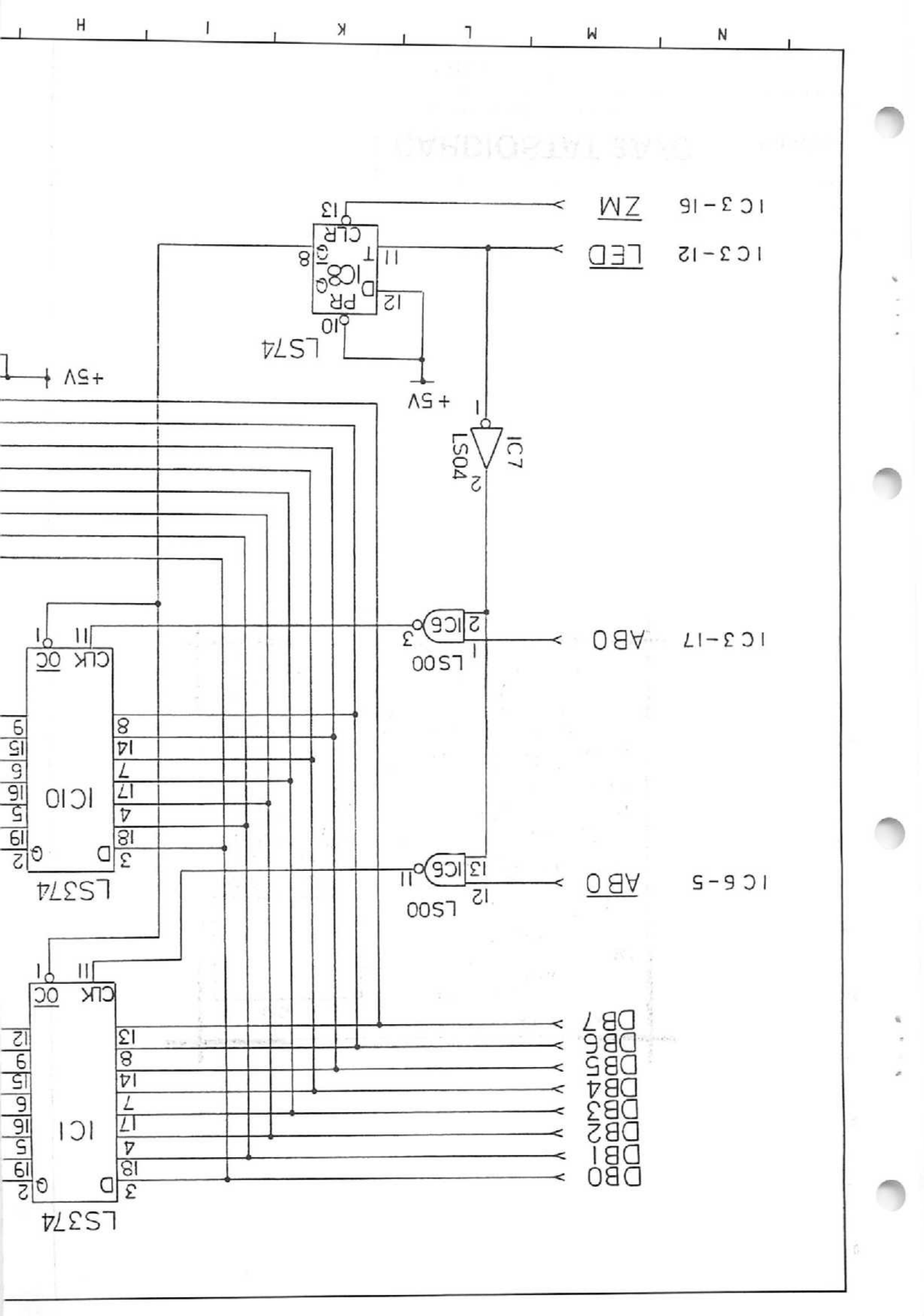
KEYBOARD FRAME



30.

CARDIOSTAT 3A/C		PCB-4968.1
<i>Operation keys</i>		
EH42E		

G F E D C B A



A B C D E F

EH42E

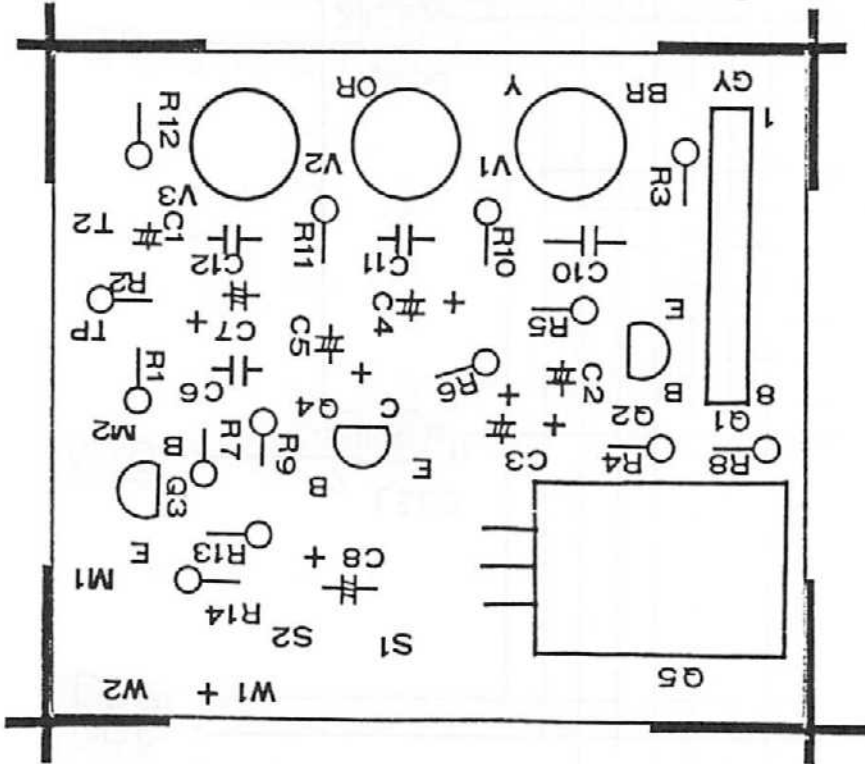
Component location drawing

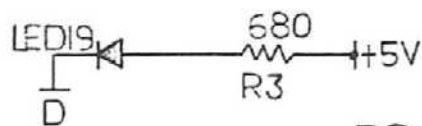
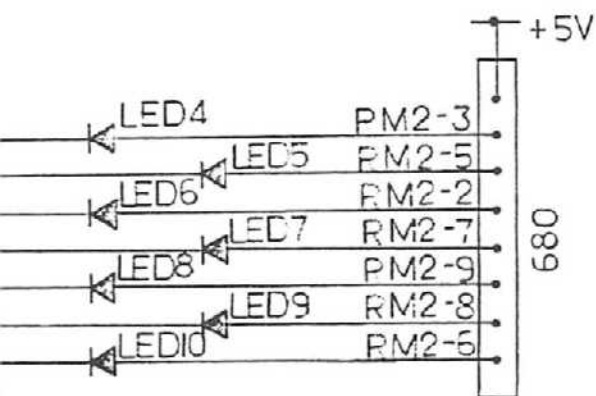
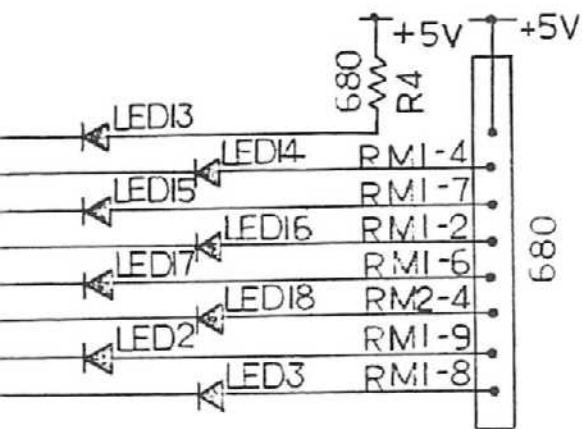
PCB-3395

CARDIOSTAT 3A/C

1
2
3
4
5
6
7
8
9
0

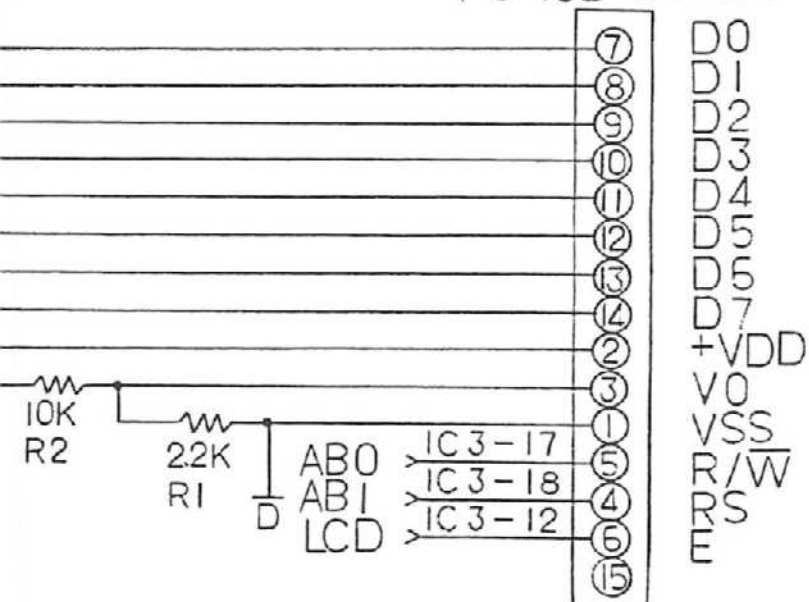
PCB-3395, CARDIOSTAT 3A/C





LED NO.	(1CH)	(2CH)	(3CH)
LED 2	TEST, TEST, TEST		
LED 3	I	II	III
LED 4	aVR	aVL	aVF
LED 5	V ₁	V ₂	V ₃
LED 6	V ₄	V ₅	V ₆
LED 7	aVL	I	-aVR
LED 8	II	aVF	III
LED 9	X	Y	Z
LED 10	II(DC), DC, DC		
LED 13	⊙		
LED 14	≈		
LED 15	≡		
LED 16	⊗		
LED 17	→ 0 ←		
LED 18	⊕		
LED 19	POWER		

P1
PS-15D-S4TSH



TO LCD MODULE

31.

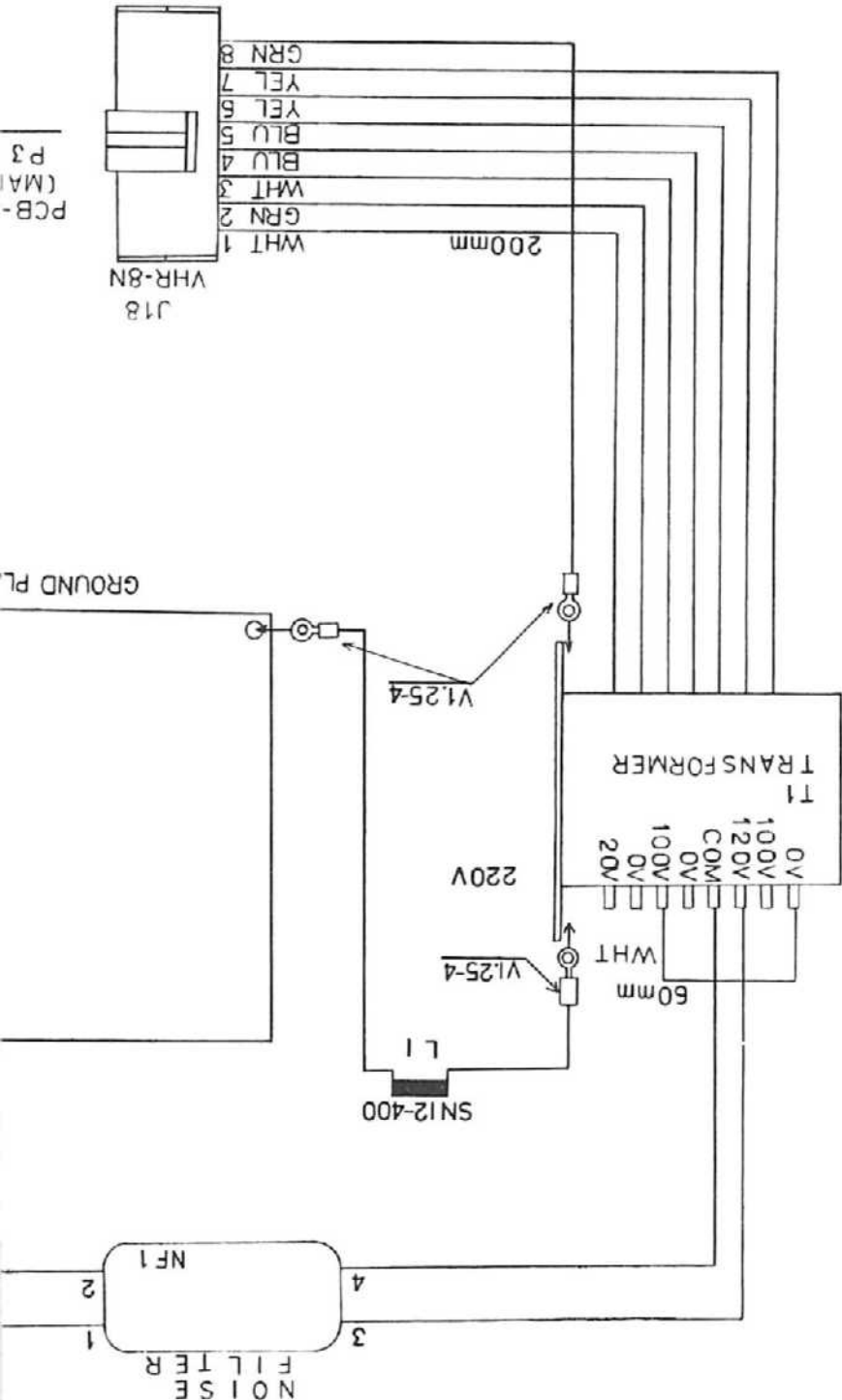
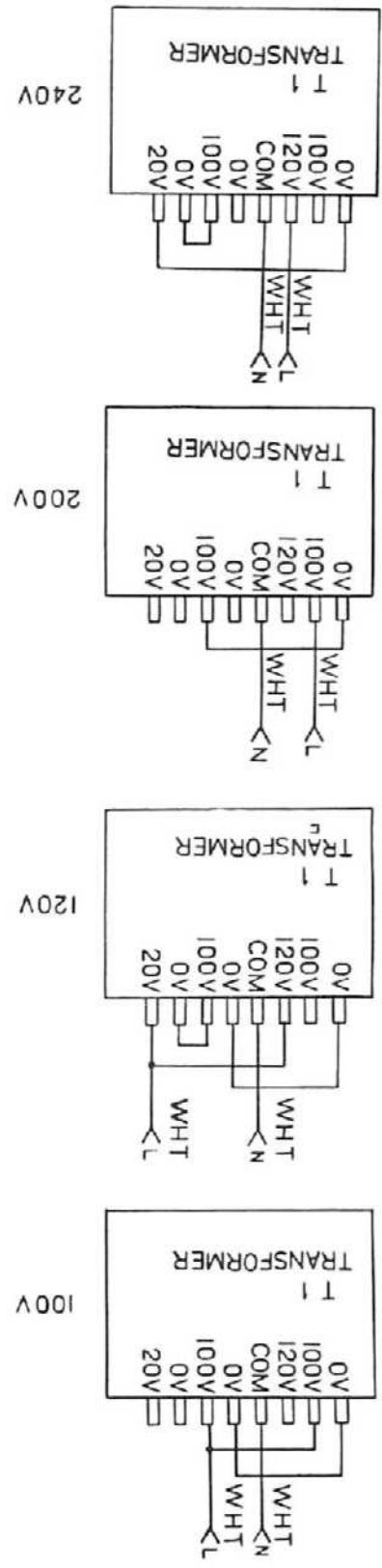
CARDIOSTAT 3A/C

PCB-4968.2

LED and LCD connectors

EH42E

G F E D C B A



PCB- (MA) P3

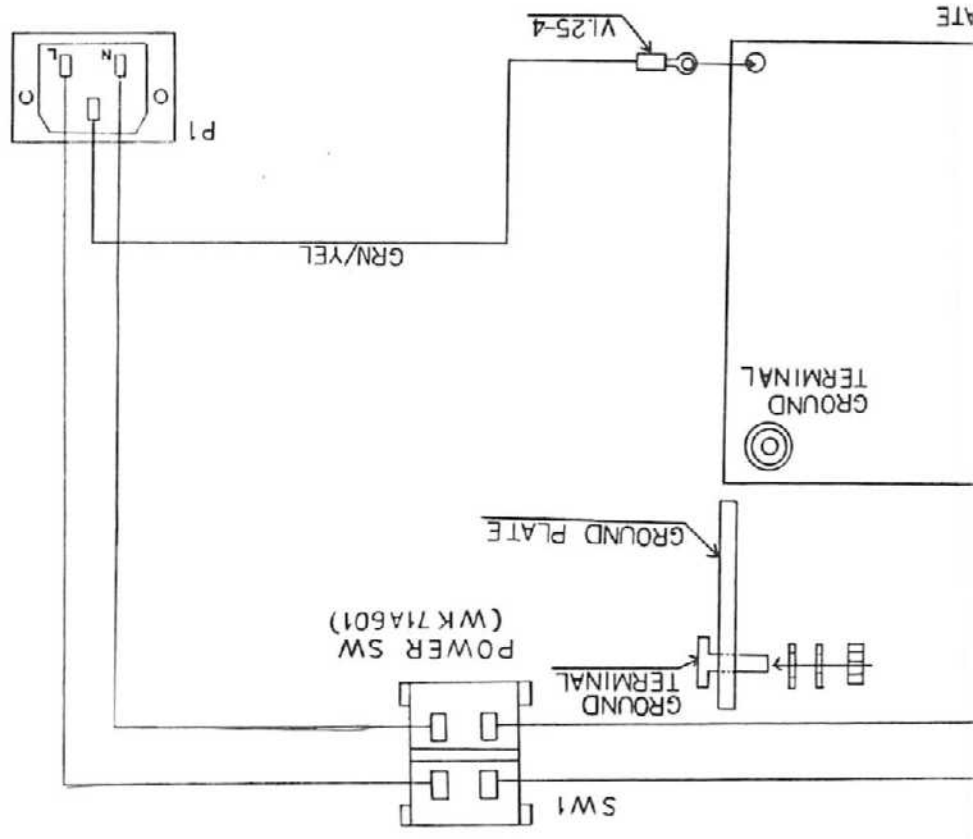
A B C D E F G

EH42E

CARDIOSTAT 3A/C

Power supply wiring

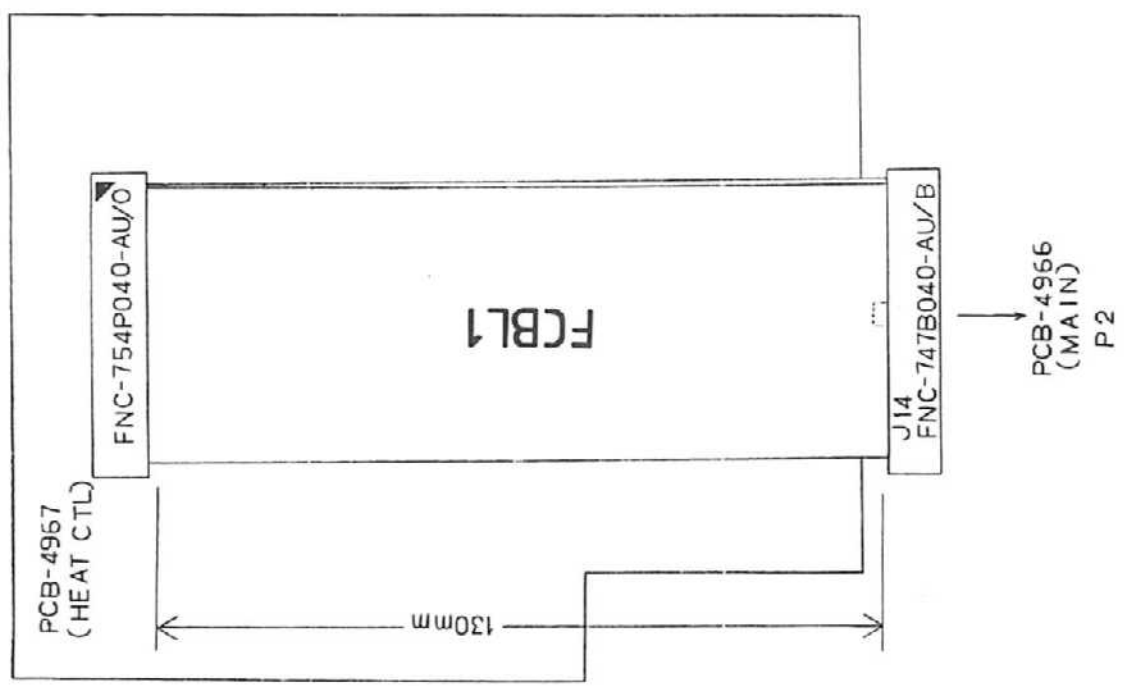
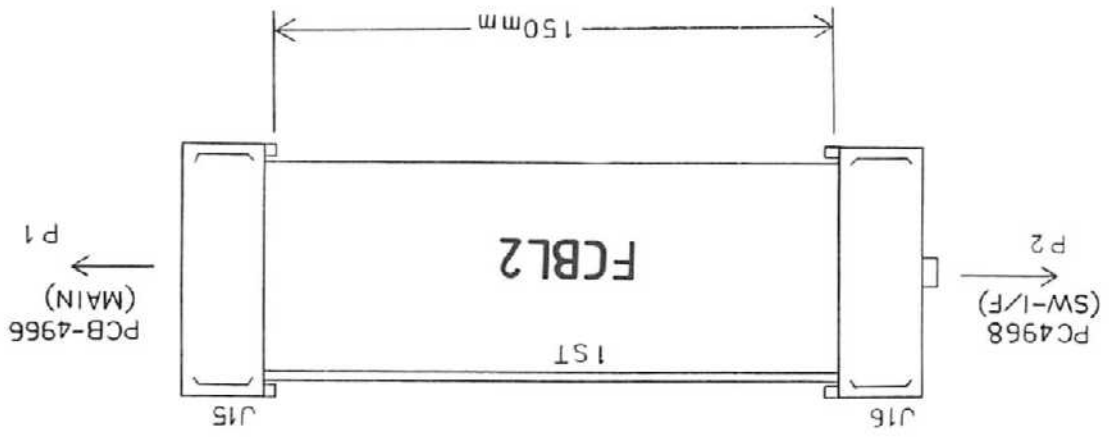
33.

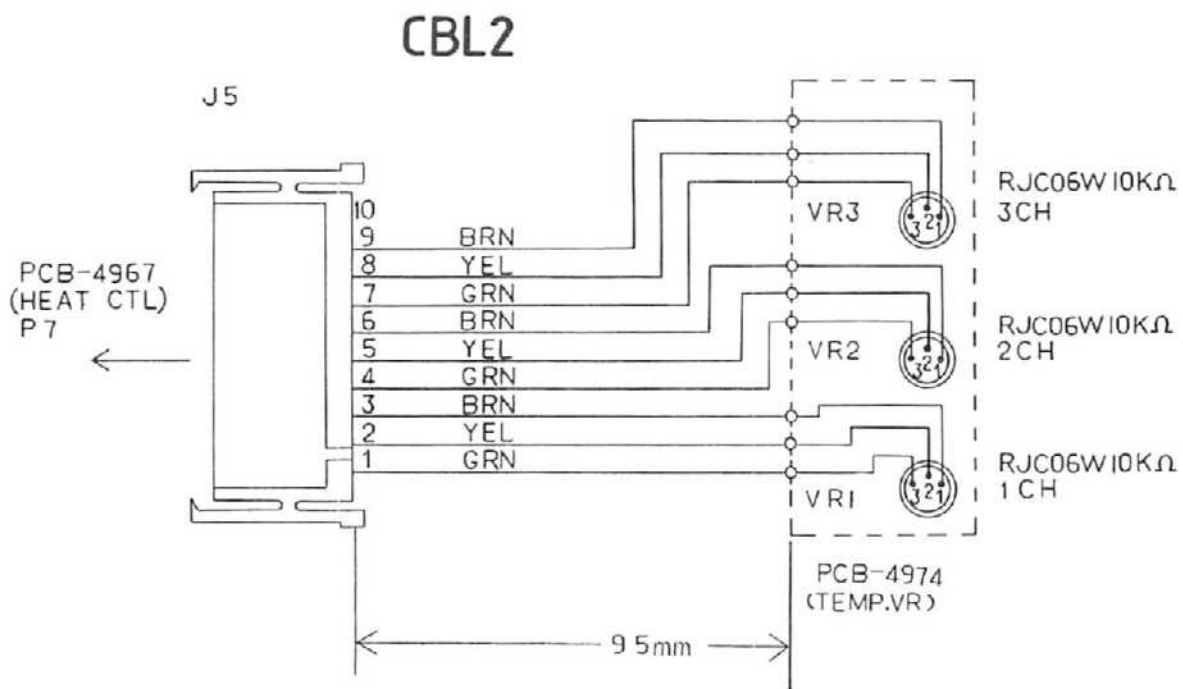
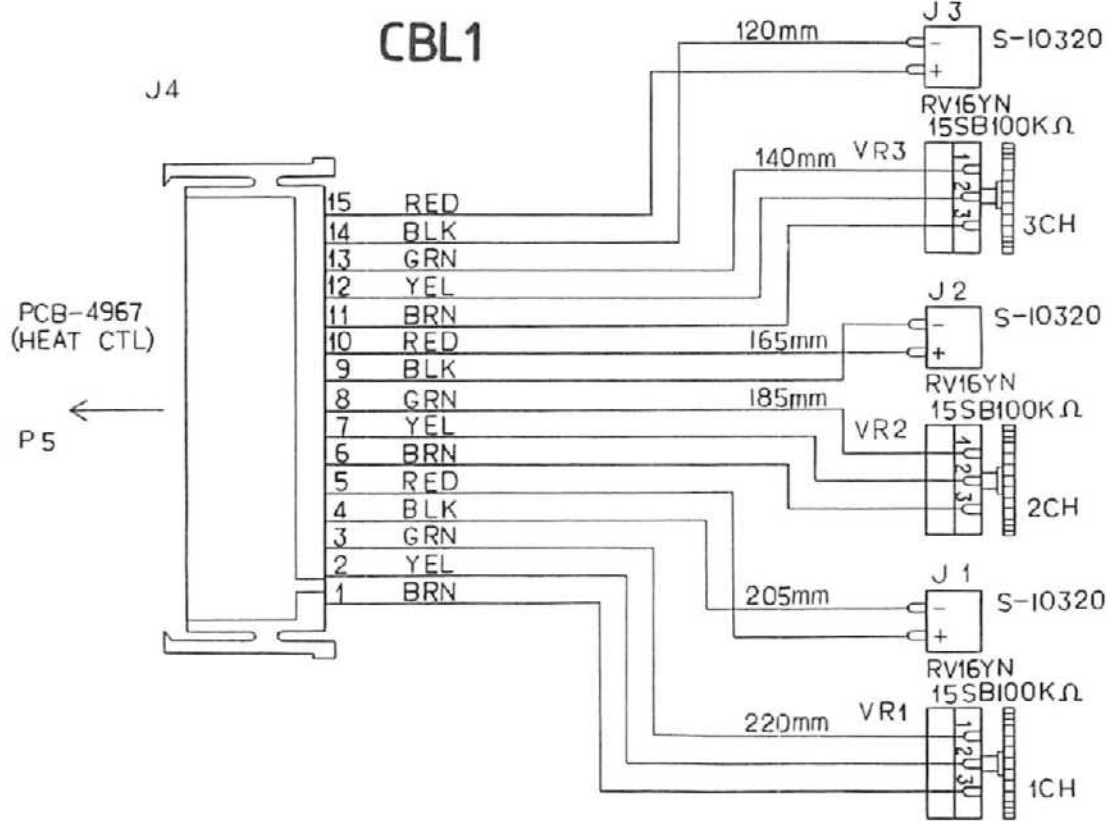


←
1966
(N)

1
2
3
4
5
6
7
8
9
0

H I K L M N



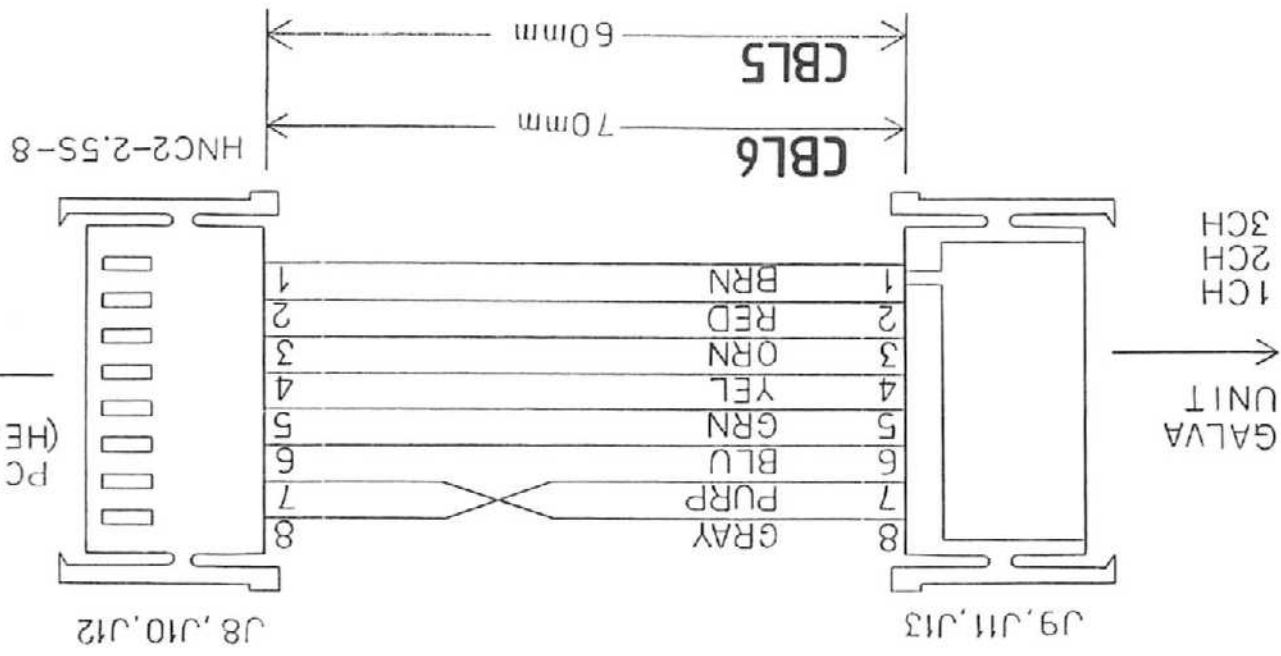


34.

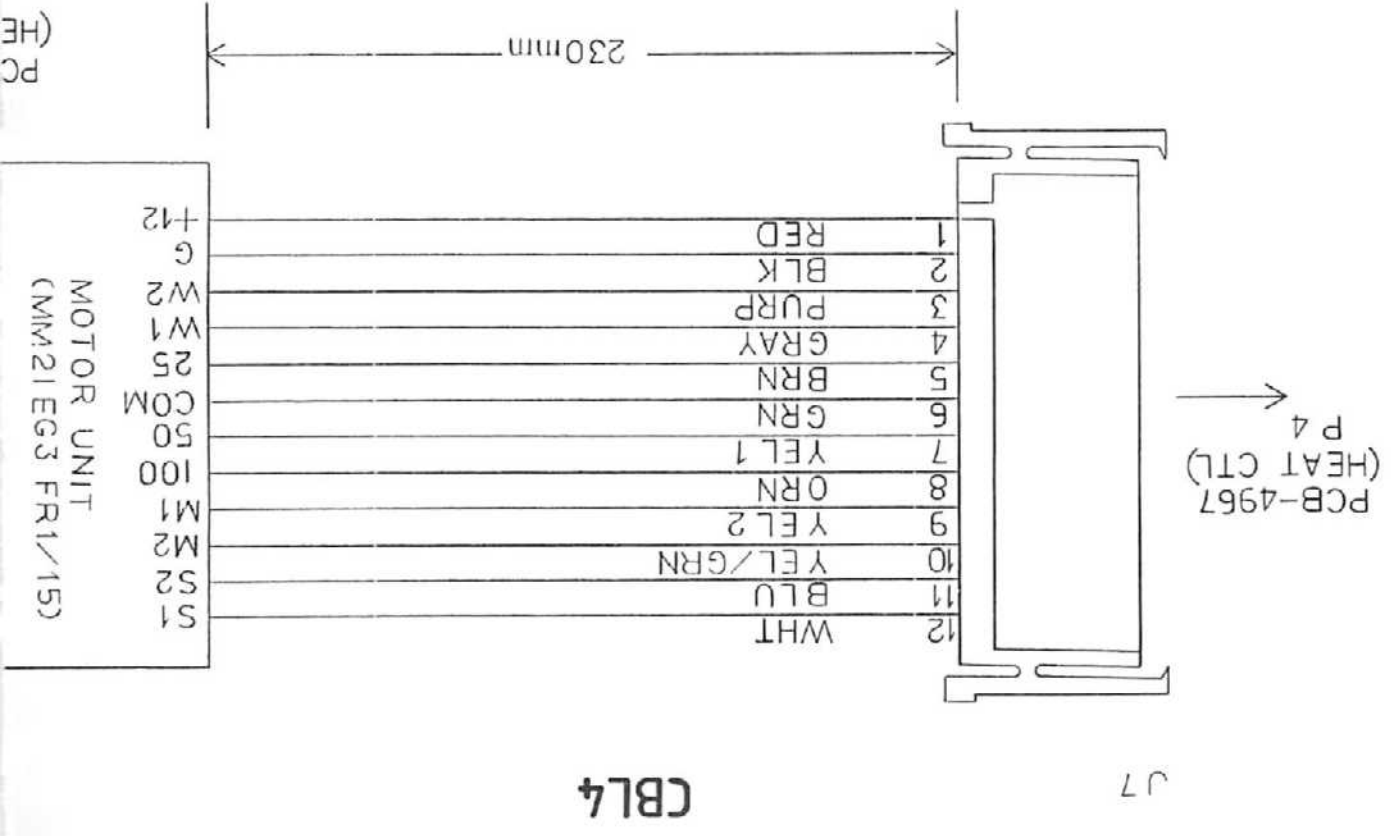
CARDIOSTAT 3A/C

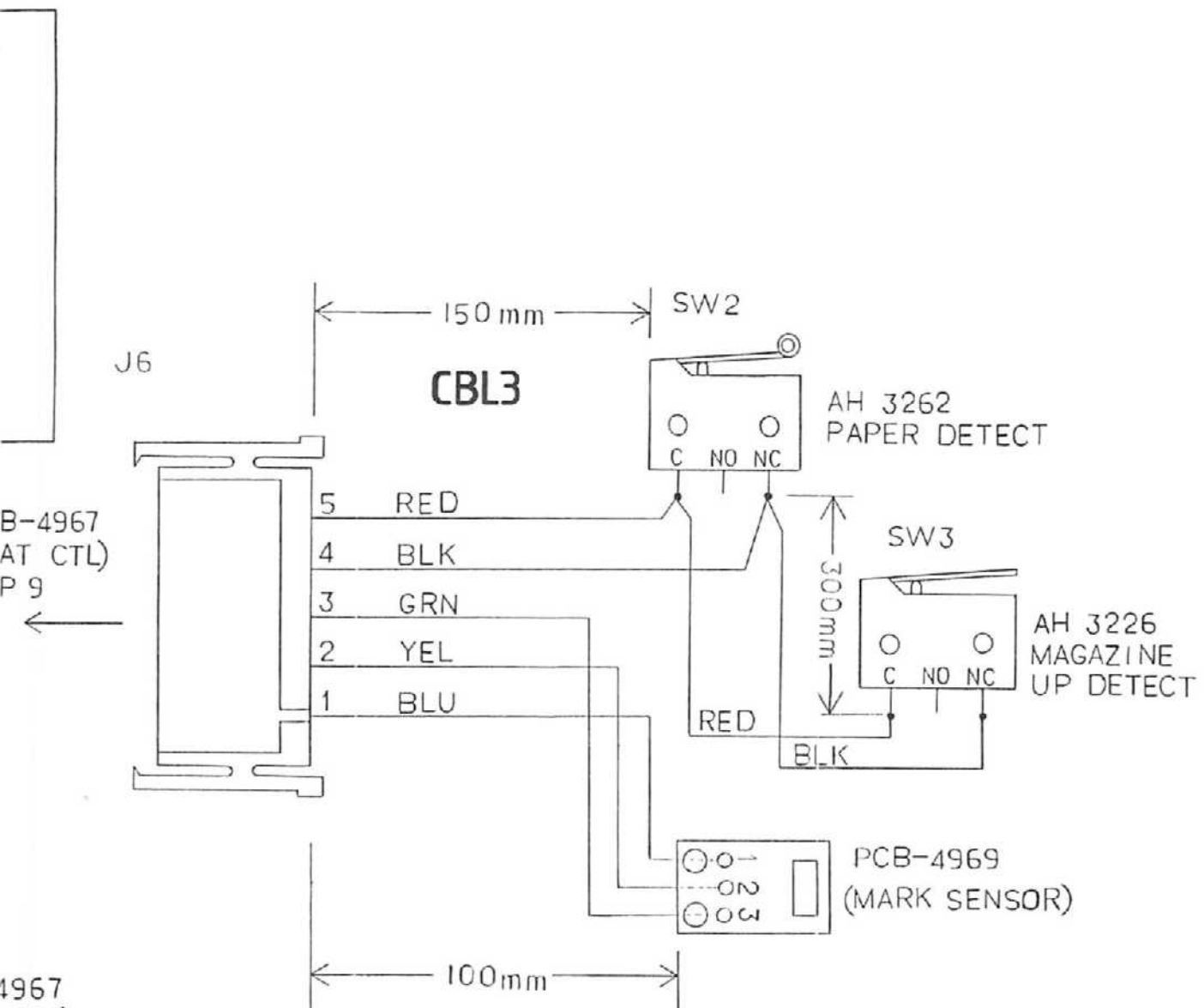
Cables FCBL1, FCBL2, CBL1, CBL2

EH42E



CONTACT	HNC-2.5S-C-A
TOOL NO.	IC-HNC-A





B-4967
AT CTL)
P 9
←

4967
CTL)

→
P 1
P 2
P 3

35.

CARDIOSTAT 3A/C	
<i>Cables CBL3, CBL4, CBL5, CBL6</i>	
EH42E	

G F E D C B A